

REPLACEMENT PARTS CATALOGUE

1979

BONNEVILLE 750 T140E

INTRODUCTION

ENGINE AND FRAME NUMBERS

The engine number is located on the left side of the engine, immediately below the cylinder barrel to crankcase flange.

The frame number is located on the left side of the frame headlug, beneath the fork top lug and forward of the gasoline tank.

Both the engine and frame number should be quoted in full in any correspondence relating to the machine.

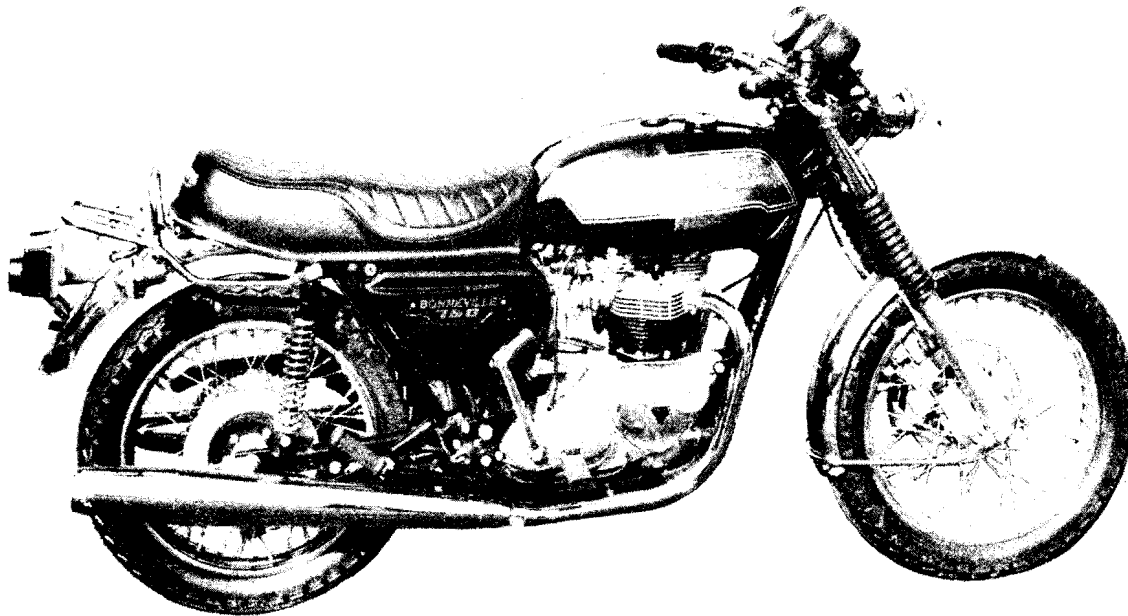
©

COPYRIGHT

All rights reserved. No part of this publication may be reproduced without permission.

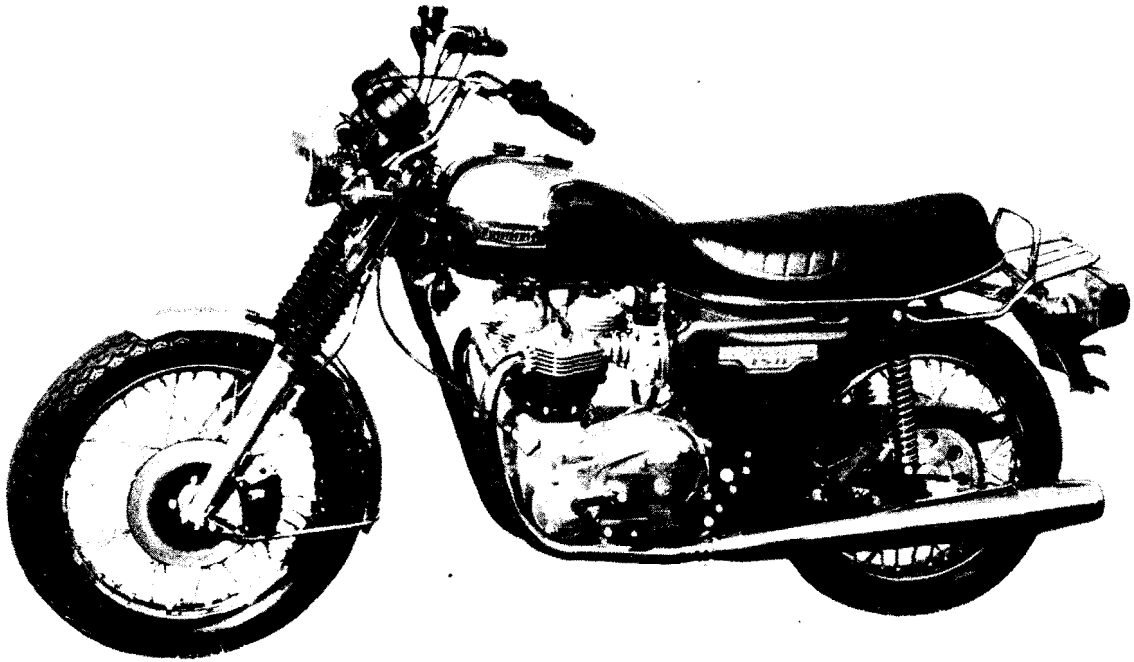
INDEX

	Page		Page
AIR CLEANER	65	KICKSTARTER	31
ALTERNATOR	9, 35	MANIFOLD	17
BATTERY CARRIER	81	MOTOR PLATES	41
BRAKE SWITCH	79	MOTOR TORQUE STAY	41
BREATHER PIPES	37	MUFFLERS	43
CAMSHAFT, INLET AND EXHAUST	9	OIL PUMP	15
CARBURETOR	23	OIL PIPES	37
CENTRE STAND	37	OIL PRESSURE RELEASE VALVE	15
CHAINS	35	PISTONS, OVERSIZE AND RING SETS	7
CHAINCASE	35	PISTONS	9
CLUTCH	33	PROP STAND	37
CLUTCH LEVER ASSEMBLY	31	PUSH RODS	18-21
COIL	79	REAR WHEEL	55-57
CONDENSERS	79	RECTIFIER	79
CONNECTING RODS	9	ROCKERS	18-21
CONTACT BREAKER	25	SIDE PANEL	65
CONTROL CABLES	73	SPARK PLUG	79
CONTROL LEVERS	71	SPEEDOMETER	77
CRANKCASE	11, 13	SPEEDOMETER GEARBOX	55, 57
CRANKSHAFT	9	SUSPENSION UNITS	39
CYLINDERS	18-21	SWINGING FORK	39
CYLINDER HEAD	18-21	SWITCHES	71, 81
EXHAUST PIPES	43	SERVICE TOOLS	86
FENDERS	67	TABLE OF STANDARD HARDWARE	84-85
FLASHERS	81	TACHOMETER	77
FOOTRESTS	41	TACHOMETER GEARBOX	77
FRAME	37	TAIL LAMP	69
FRONT BRAKE	51, 53	TAPPETS	17
FRONT FORKS	45, 47	TIMING GEARS	9
FRONT WHEEL	49	TOOLKIT	75
GASKET SETS	7	TWIN SEAT	63
GAS TANK	63	VALVES	18-21
GEARBOX	27-31	VALVE GUIDES	18-21
HANDLEBAR	71	VALVE GUIDE SETS	7
HEADLAMP	81	WIRING HARNESS	83
HORN	79	ZENER DIODE	79



BONNEVILLE (T140E) TECHNICAL DATA

Bore & Stroke		76x82 mm/2.992 x 3.228 ins.
Capacity		747 cc/ 45 cu. ins.
Compression Ratio		7.9:1
Spark Plugs		Champion N3
Carburetter		Amal Concentric Mk II
	Main Jet	200
	Needle Jet	105
	Needle	2C3
	Throttle Valve	No. 3
Gearbox Sprocket		20 Teeth
Chains	Front	Triplex 3/8 in pitch x 84 links
	Rear	5/8 in x 3/8 in x 106 links
Capacities	Fuel Tank	4 Galls (IMP)
	Oil Tank	4 Pints
	Gearbox	7/8 Pint (500 cc)
	Front Forks	1/3 Pint (190 cc)
Tyre Size	Front	4.10 x 19
	Rear	4.10 x 18



USA BONNEVILLE (T140E) TECHNICAL DATA

Bore & Stroke		76x82 mm/2.992 x 3.228 ins.
Capacity		747 cc/ 45 cu. ins.
Compression Ratio		7.9:1
Spark Plugs		Champion N3
Carburetter		Amal Concentric Mk II
	Main Jet	200
	Needle Jet	105
	Needle	2C3
	Throttle Valve	No.3
Gearbox Sprocket		20 Teeth
Chains	Front	Triplex 3/8 in pitch x 84 links
	Rear	5/8 in x 3/8 in x 106 links
Capacities	Fuel Tank	2.8 Galls (IMP)
	Oil Tank	4 Pints
	Gearbox	7/8 Pint (500 cc)
	Front Forks	1/3 Pint (190 cc)
Tyre Size	Front	4.10 x 19
	Rear	4.10 x 18

HOW TO USE THIS PARTS CATALOGUE

First consult the index on Page 3 for the parts or group of parts which you wish to locate. When you have located the parts make sure from the end columns that the part you have located does apply to your machine.

List the quantities required as single units; do not ask for "2 pairs" or "3 dozen".

In case of painted items always state the color required. Painted parts are available only in the colors or alternatives specified for that model of that particular year.

PLEASE NOTE

THROUGHOUT THIS LIST, ASSEMBLIES ARE PRINTED IN CAPITALS AND THE COMPONENTS INCLUDED IN THAT ASSEMBLY ARE INDENTED IN THE DESCRIPTION COLUMN, REVERTING TO THE ORIGINAL ALIGNMENT WHEN THE ASSEMBLY IS COMPLETE. TO ORDER THE COMPLETE ASSEMBLY IT IS NECESSARY ONLY TO QUOTE THE ASSEMBLY NUMBER. ANY COMPONENT PARTS LISTED MAY ALSO BE OBTAINED SEPARATELY IF REQUIRED.

SPECIAL WORKSHOP TOOLS

A COMPLETE LIST OF WORKSHOP TOOLS CAN BE MADE AVAILABLE BY CONTACTING YOUR DEALER. IN MOST CASES THESE TOOLS ARE VERY COSTLY AS THEY ARE MADE ENTIRELY FOR WORKSHOP USE, AND THEREFORE, IT IS NOT RECOMMENDED THAT THE PRIVATE OWNER PURCHASES THE TOOLS IN ORDER TO AID SERVICING THE MACHINE ONCE OR TWICE ONLY. IN THESE CIRCUMSTANCES IT IS FAR MORE ECONOMICAL TO GET IN TOUCH WITH A RECOGNISED DEALER.

UNIFIED THREAD FORM

NEW PARTS HAVING THREADED FIXINGS INTRODUCED IN THIS CATALOGUE HAVE THE UNIFIED FORM OF SCREW THREADS. THIS CHANGEOVER WILL BE CONTINUED AS AND WHEN NEW PARTS ARE INTRODUCED. EVEN WHERE PARTS ARE SIMILAR IN APPEARANCE NEW PART NUMBERS WILL BE ALLOCATED TO IDENTIFY THE UNIFIED THREADS. ALL NUTS, BOLTS AND STUDS HAVING THIS THREAD ARE IDENTIFIED BY MARKINGS. BOLTS HAVE A CIRCULAR RECESS IN THEIR HEADS, STUDS A CIRCULAR GROOVE ON THE END, AND NUTS HAVE INTERLOCKING CIRCLES ON THE SIDE.

PARTS SPECIAL TO PARTICULAR MARKETS ARE IDENTIFIED IN 'REMARKS' COLUMN, OTHERWISE PARTS ARE COMMON TO ALL MARKETS.

WHERE MAKERS PART NUMBERS ONLY ARE SHOWN FOR REFERENCE, PARTS MUST BE OBTAINED DIRECT FROM THE MAKERS OR THEIR DISTRIBUTORS.

CARTON PACK ASSEMBLIES

PISTONS (C/W RINGS GUDGEON PIN & CIRCLIPS)

71-3995	PISTON ASSY	+0.010
71-3996	PISTON ASSY	+0.020

PISTON RING SETS (COMPRISING 4 OFF TAPER RING, 2OFF OIL CONTROL RING)

99-3789	RING SET	STD.
71-3690	TAPER RING	STD.
71-3695	OIL CONTROL RING	STD.
99-3790	RING SET	+0.010
71-3691	TAPER RING	+0.010
71-3696	OIL CONTROL RING	+0.010
99-3791	RING SET	+0.020
71-3692	TAPER RING	+0.020
71-3697	OIL CONTROL RING	+0.020

VALVE GUIDE SETS (COMPRISING 2 INLET 2 EXHAUST)

99-3793	VALVE GUIDE SET	STD.
99-3794	VALVE GUIDE SET	+0.002
99-3795	VALVE GUIDE SET	+0.004
99-3796	VALVE GUIDE SET	+0.006

GASKET SET

99-7001	DECOKE SET
99-7002	OVERHAUL SET

VALVE SPRING SET

99-7037	4 OFF INNER
	4 OFF OUTER

BEARING-CONROD B/E

99-7040	4 OFF	STD.
99-7041	4 OFF	-0.010
99-7042	4 OFF	-0.020

OWNER HANDBOOK 1979

60-7191	T140
---------	------

WORKSHOP MANUAL 1979

99-7059	T140 TR7
---------	----------

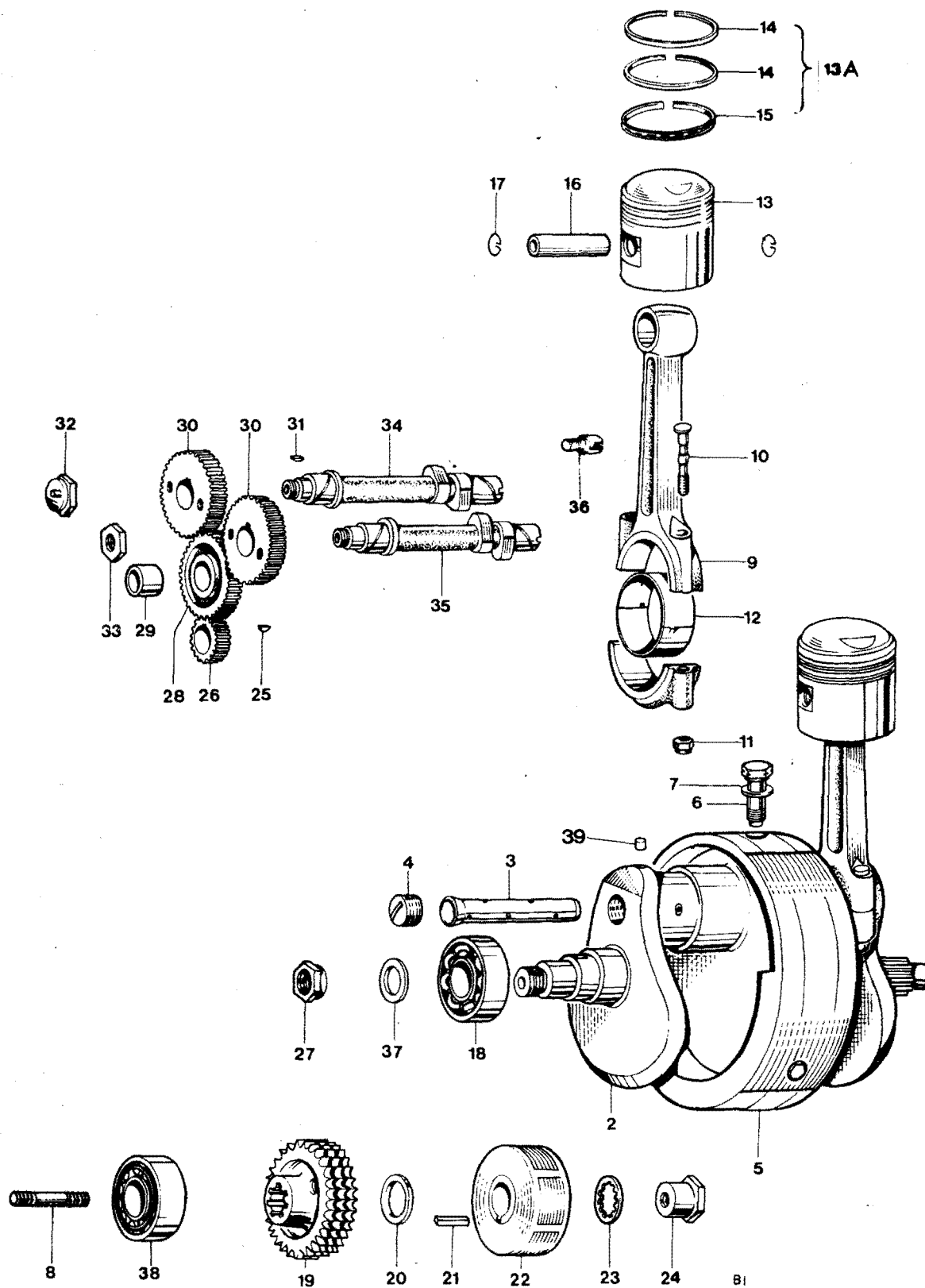


Fig. 1. CRANKSHAFT AND CONNECTING RODS

CRANKSHAFT AND CONNECTING RODS

Ref. No.	Part No.	Description	Quantity	Remarks
1	71-3030	CRANKSHAFT AND FLYWHEEL ASSEMBLY	1	
2	71-3298	CRANKSHAFT C/W. OIL TUBE	1	
3	70-3903	Oil tube	1	
4	71-2800	Screwed plug	1	
5	71-2425	Flywheel	1	
6	*71-3552	Flywheel bolt	3	
7	71-1003	Washer	3	
8	21-2183	Crankshaft stud (1 3/8 in. O.A.)	1	
9	71-3006	CONNECTING ROD	2	
10	70-9914	Connecting rod bolt	4	
11	60-3761	Self locking nut	4	
12	70-3586	Big end bearing	4	(see PG 7)
13	71-3778	PISTON COMPLETE (7.9 : 1)	2	
13	71-3778A	PISTON COMPLETE (7.9 : 1)	2	(from Eng* JA11264)
13A	99-3789	RING SET STD.		
14	71-3690	Taper compression ring	4	} included in ring set
15	71-3695	Oil control ring	2	
16	71-3354	Gudgeon pin	2	
17	71-3700	Circlip	4	
18	60-4167	Main bearing, right (RHP5/6306)	1	
19	71-3542	Motor sprocket, 29 teeth Triplex	1	
20	71-3544	Distance piece	1	
21	71-0082	Rotor key	1	
22	99-7058	Rotor	1	Lucas 54212006
23	21-7024	Fan disc lock washer	1	
24	21-2182	Nut	1	
25	70-1580	Key	1	
26	70-4564	Timing pinion	1	
27	71-2877	Nut	1	
28	70-6159	INTERMEDIATE WHEEL	1	
29	70-0400	Intermediate wheel bush	1	
30	71-3666	Camshaft pinion	2	
31	70-1558	Camshaft key	2	
32	71-1007	Inlet camshaft nut	1	
33	70-6523	Exhaust camshaft nut	1	
34	71-7016	Inlet camshaft	1	
35	71-7017	Exhaust camshaft	1	
36	70-9988	Tach drive plug	1	
37	70-3300	Clamping washer	1	
38	70-2879	Main bearing, left (RM11L)	1	
39	70-3902	Plug, crankshaft oilway	1	
Not illus.	71-2663	Spacer	1	
Not illus.	70-8038	Shim (0.010 in.)	} Engine sprocket	As required (up to 4)
Not illus.	71-2660	Shim (0.030 in.)		As required (up to 4)

* Use 60-0524 Loctite Sealant

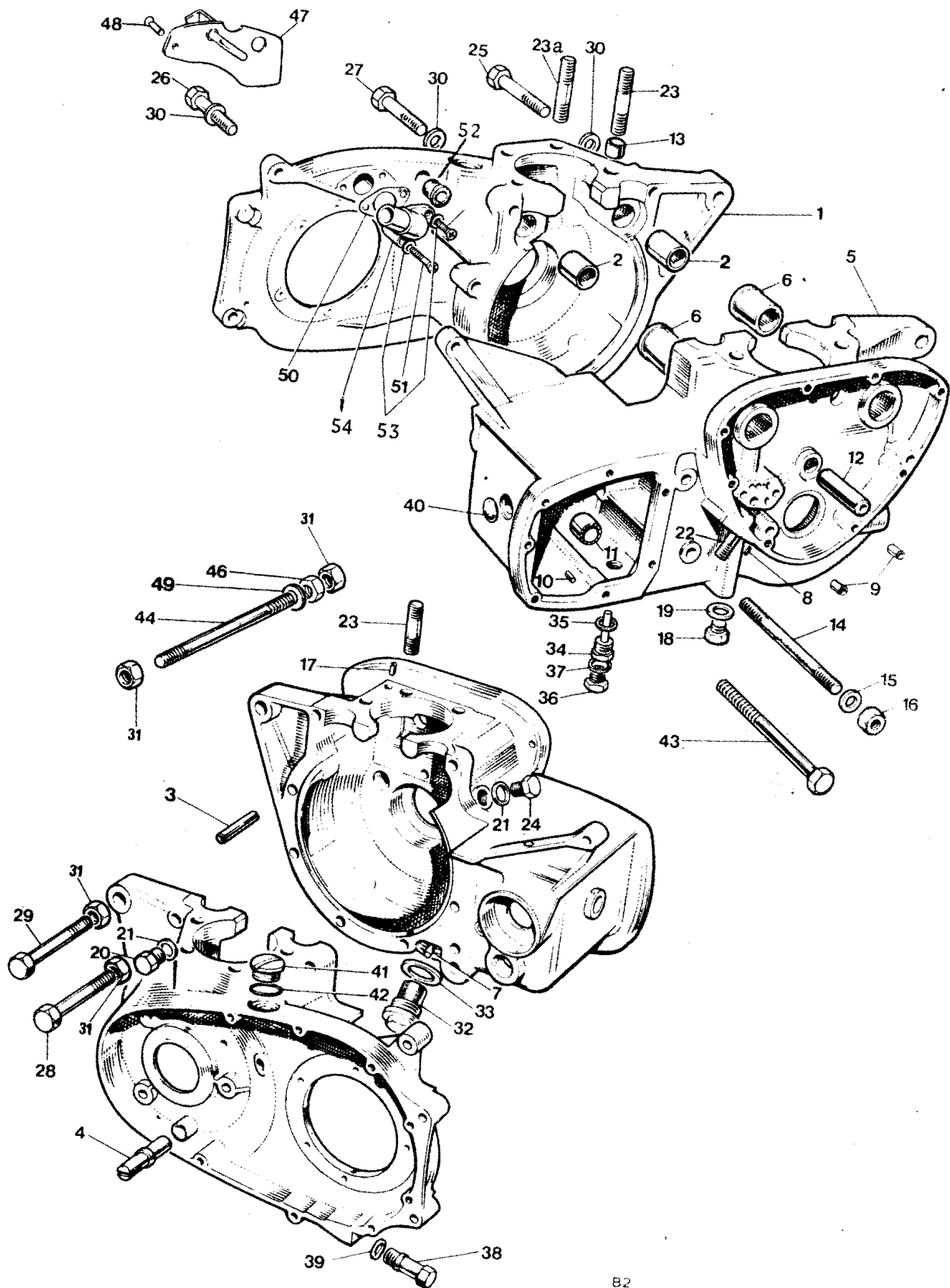


Fig. 2 CRANKCASE

B2

CRANKCASE

Ref. No.	Part No.	Description	Quantity	Remarks
1		*CRANKCASE DRIVE SIDE	1	Reference only
2	71-0287	Camshaft bush L.H.	2	
3	71-3989	Hollow dowel, crankcase joint	1	
4	70-5088	Chain tensioner abutment	1	
5		*CRANKCASE TIMING SIDE	1	Reference only
6	71-0286	Camshaft bush R.H.	2	
7	70-4538	Scavenge pipe	Reference only	
8	70-6386	Locating peg (at oil pipes)	Reference only	
9	57-0989	Hollow dowel	2	
10	57-0912	Locating peg (L/S at thrust washer)	1	
11	57-1606	Needle roller bearing, layshaft	1	
12	70-0375	Intermediate wheel spindle	1	
13	70-8751	Hollow dowel, cylinder base	2	
14	14-1445	Stud, rear	1	
15	60-4246	Plain washer	2	
16	14-1303	Nut	1	
17	70-1532	Hollow dowel, tappet oil feed	2	
18	70-9330	Oilway plug	1	
19	82-1880	Copper washer	1	
20	21-1871	Tachometer drive plug (L.H. thread)	1	
21	37-3761	'O' ring, ignition timing hole plug	1	
22	21-1863	Oil pipe stud	1	
23	21-1865	Cylinder stud	4	
23 A	71-3013	Cylinder stud	4	
24	21-1872	Plug, timing hole	1	
25	21-1870	Bolt, rear	1	
26	14-6220	Bolt, top rear	1	
27	14-6223	Bolt, top front	1	
28	14-0230	Bolt, long - crankcase halves	1	
29	21-1823	Bolt, short - crankcase halves	2	
30	60-2330	Plain washer	10	
31	14-1302	Nut	5	
32	70-9336	Crankcase filter	1	
33	70-8782	"O" Ring	1	
34	57-2167	Drain plug (with level tube)	1	
35	57-1257	Fibre washer	1	
36	21-0543	Level plug	1	
37	60-7132	Copper washer	1	
38	57-2259	Drain and adjuster plug	1	
39	70-6299	'O' ring	1	
40	57-1920	Blanking plug	Reference only	
41	57-2166	Plug inspection	2	
42	70-8782	'O' ring	2	
43	14-6242	Bolt, rear - crankcase halves	1	
44	21-0669	Stud, crankcase halves	1	
46	14-0402	Nut, exhaust ties	2	
47	70-9334	Breather cover plate assembly	1	
48	71-1077	Screw	1	
49	60-2428	Spring washer	2	
*	71-7021	CRANKCASE TS/DS	1	

* NOTE CRANKCASES ARE SUPPLIED ONLY AS MATCHED PAIRS PART No. 71-7021

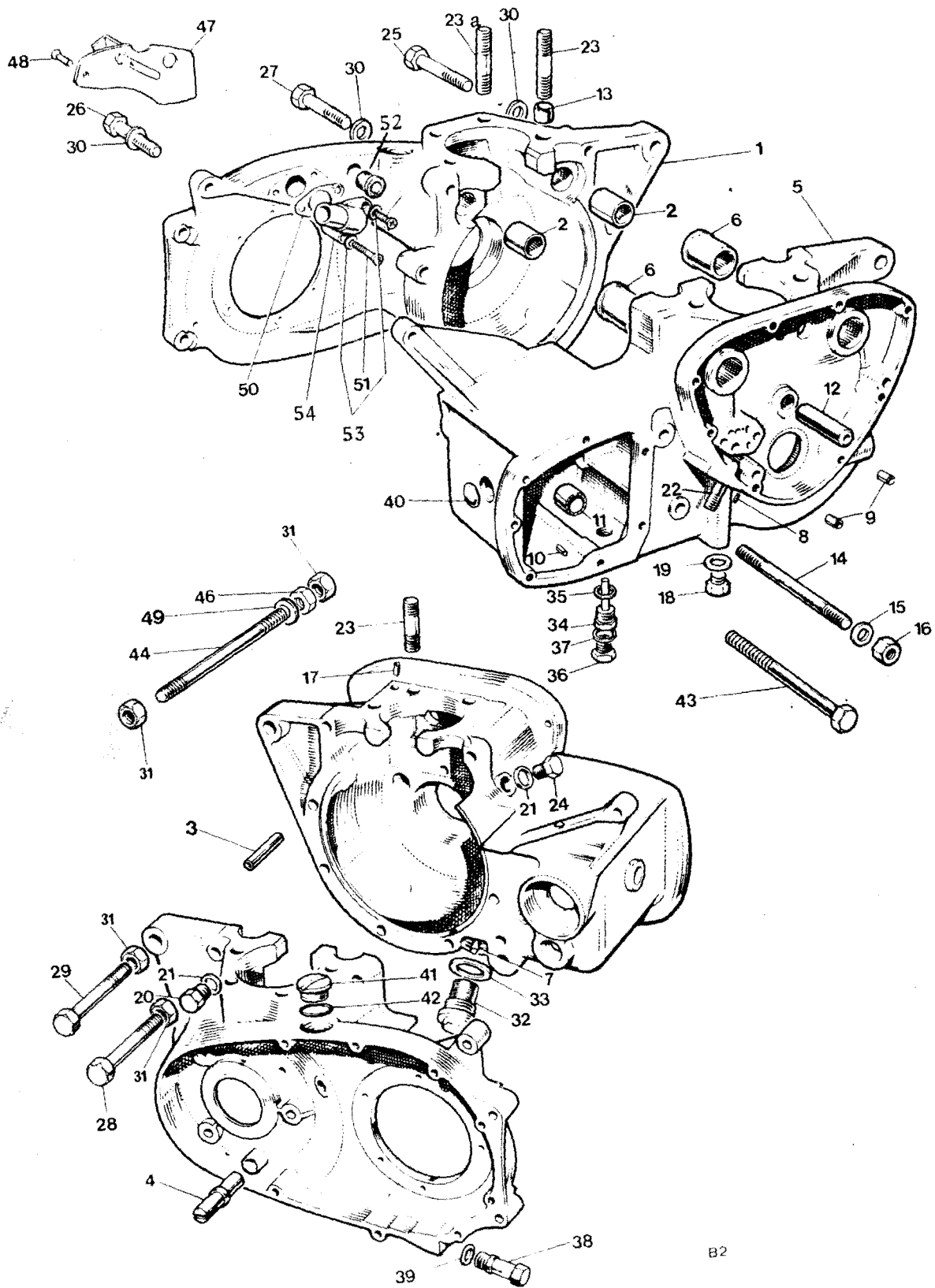


Fig. 2 CRANKCASE.

CRANKCASE (continued)

Ref. No.	Part No.	Description	Quantity	Remarks
50	71-1460	Joint washer	1	
51	70-7354	Screw	2	
52	71-1345	Grommet, alternator leads - external	1	
53	70-6559	Washer, outlet stub screw	2	
54	71-4044	Outlet stub	1	

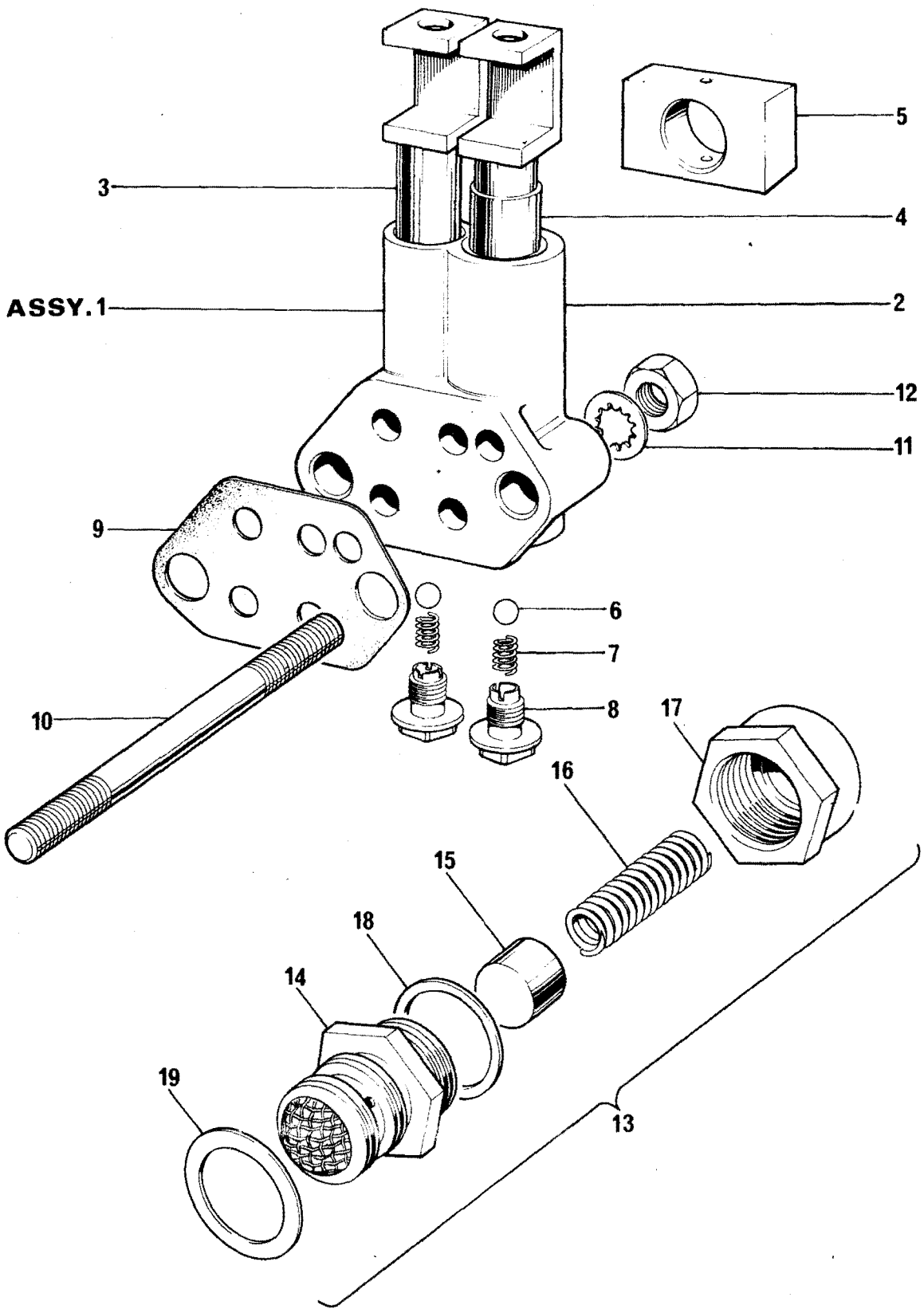


Fig. 3. OIL PUMP AND RELEASE VALVE

OIL PUMP AND RELEASE VALVE

Ref. No.	Part No.	Description	Quantity	Remarks
1	70-9421	OIL PUMP	1	
2	Reference only	Pump body	1	
3	70-9269	Feed plunger	1	
4	70-6681	Scavenger plunger	1	
5	70-0495	Drive block	1	
6	60-2363	Valve ball (7/32 in. dia.)	2	
7	70-0403	Valve spring	2	
8	70-2360	Screwed plug	2	
9	71-3910	Joint washer	1	
10	21-1864	Oil pump stud	2	
11	70-3887	Serrated washer	2	
12	21-1906	Nut	2	
13	71-3447	OIL PRESSURE RELEASE VALVE	1	
14	Ref only	Body (70-7590)		Reference only
15	Ref only	Piston (70-8752)		Reference only
16	70-6062	Spring	1	
17	Ref only	Cap (70-6596)		Reference only
18	70-8754	Joint washer (cap to body)	1	
19	60-3355	'O' ring, release valve to crankcase	1	

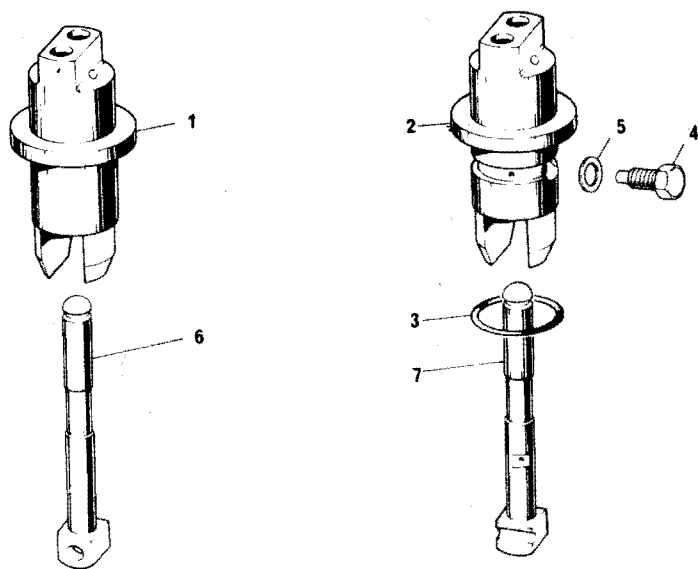
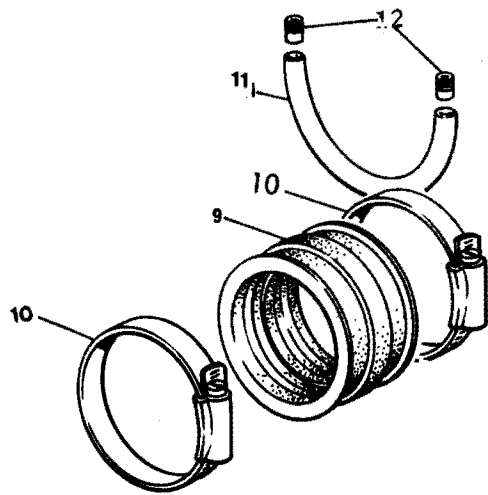
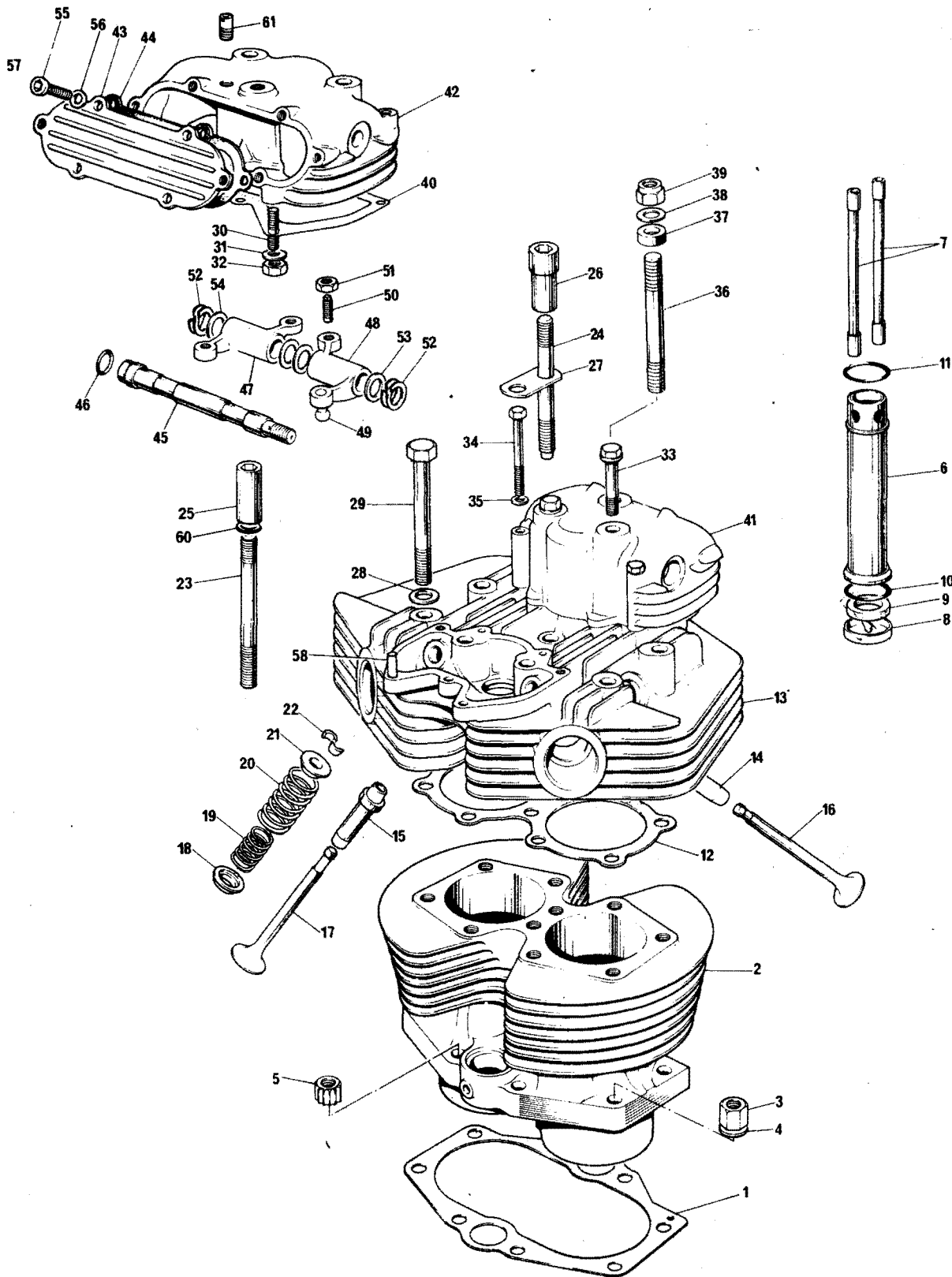


Fig. 4. MANIFOLD AND TAPPETS

MANIFOLD AND TAPPETS

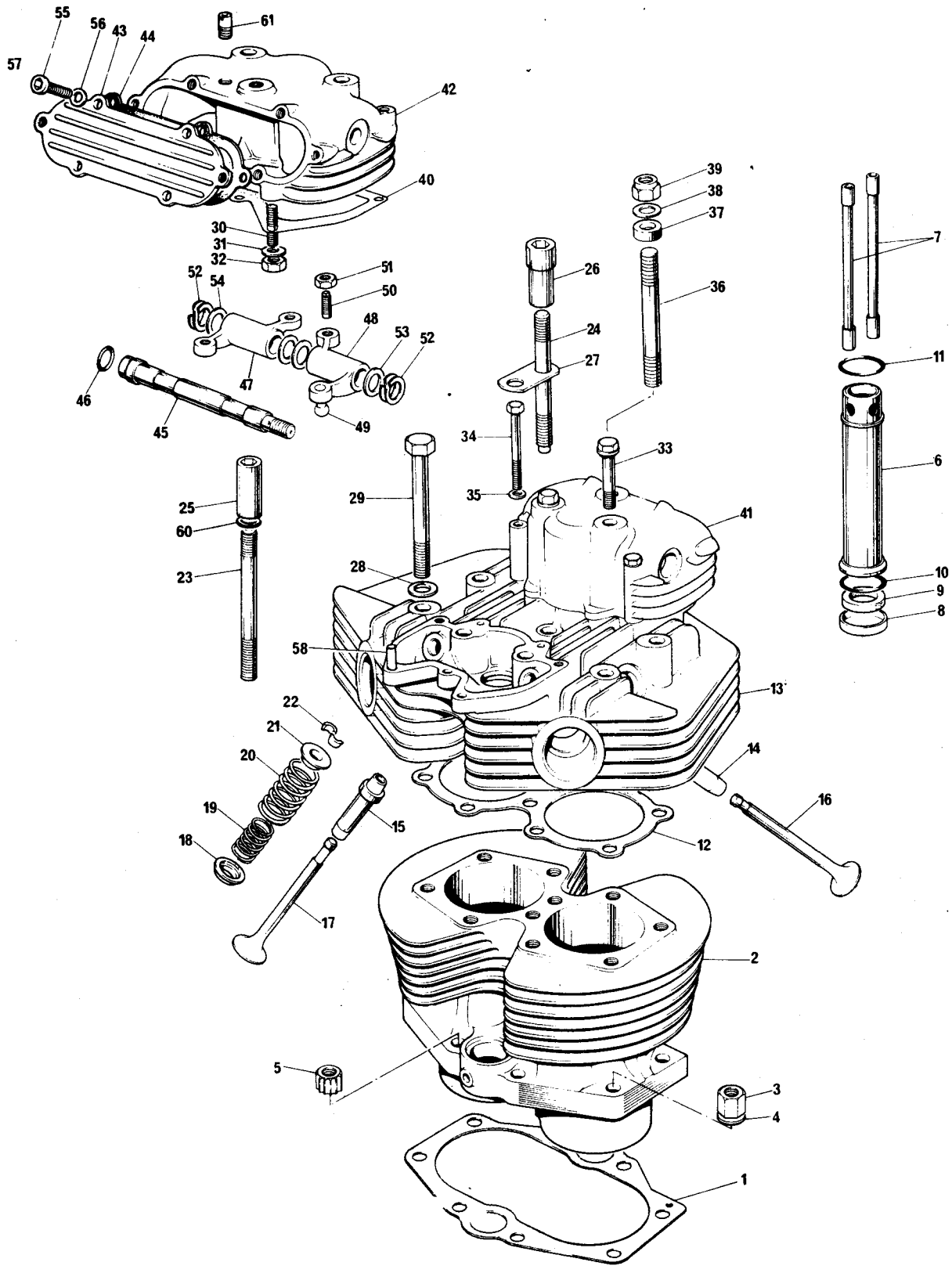
Ref. No.	Part No.	Description	Quantity	Remarks
1	70-9352	Inlet tappet guide block	1	
2	70-9353	Exhaust tappet guide block	1	
3	70-7563 <i>USE</i>	'O' ring - 70-8782	2	
4	97-0200	Set bolt	2	
5	70-2441	Washer	2	
6	71-7008	Inlet tappet	2	
7	70-8801	Exhaust tappet	2	
8	60-4260	Spring, washer	1	
9	60-7076 <i>USE 2928/123</i>	Connecting rubber carb to head	2	<i>OLD# (2928/123)</i>
10	60-7077	Connecting rubber clip	4	<i>(2928/146)</i>
11	71-7051	Connector pipe - balance	1	
12	71-7103	Connector stub	2	



CYLINDER BLOCK & HEAD, T140E

CYLINDER BLOCK AND HEAD, T140E

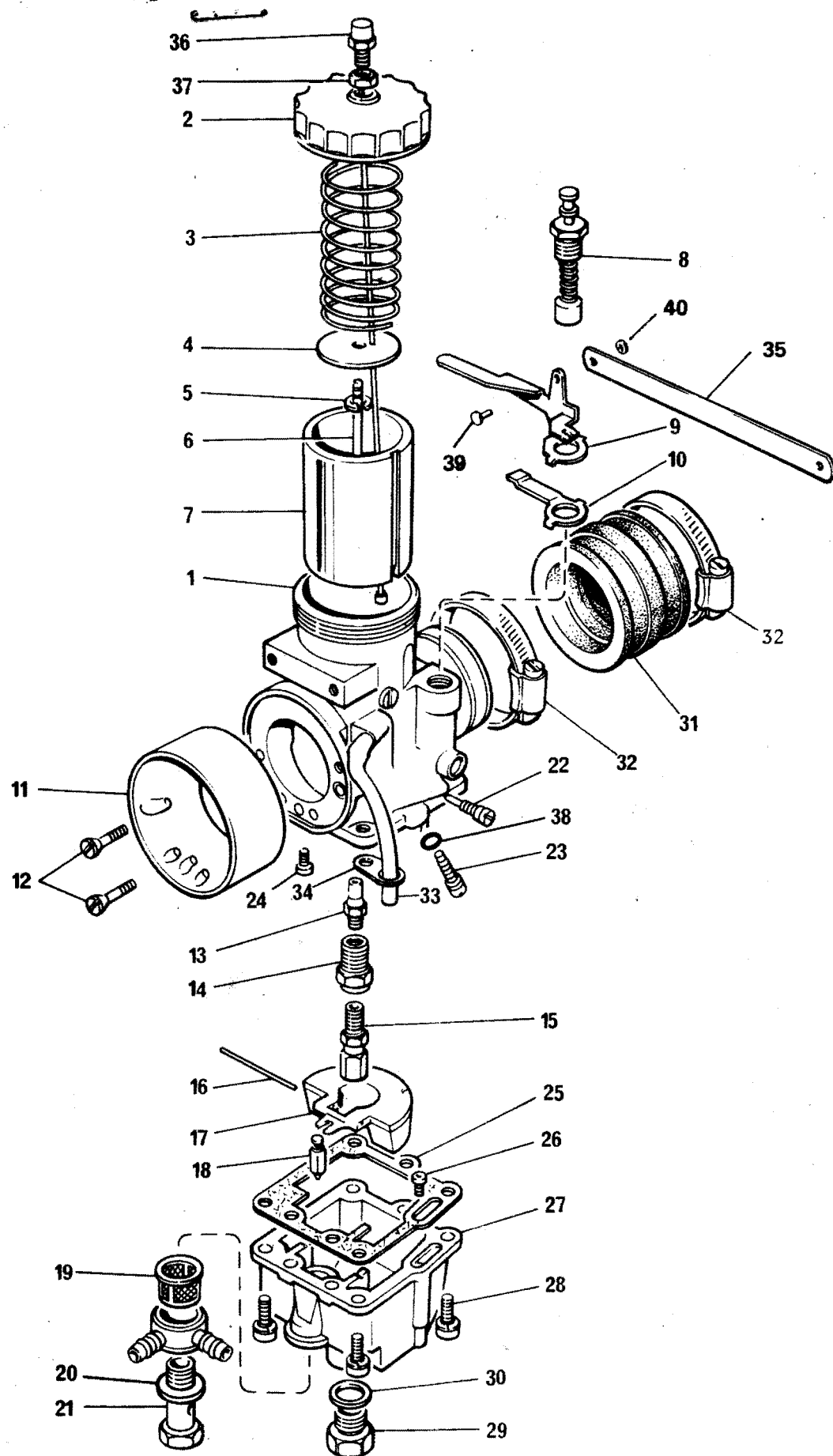
Ref. No.	Part No.	Description	Quantity	Remarks
1	70-6309	Cylinder base washer	1	
2	71-4005	Cylinder block	1	
3	21-2177	Cylinder base nut	4	
4	70-3446	Washer	4	
5	21-0692	Cylinder base nut (-12 point)	4	
6	71-7179	Push rod cover tube	2	
7	71-3330	Push rod	4	
8	71-1707	Sleeve	2	
9	70-4752	Sealing ring	2	} Cover tubes
10	70-7310	'O' ring - bottom	2	
11	71-1283	'O' ring - top	2	
12	71-4619	Cylinder head gasket	1	
13	71-7046	Cylinder head assy c/d inlet stubs	1	
14	71-3294	Inlet valve guide	2	
15	71-3295	Exhaust valve guide	2	
16	70-4603	Inlet valve	2	
17	70-2904	Exhaust valve	2	
18	71-3296	Bottom cup	4	
19	70-4221	Inner valve spring	4	} (99-7037 valve spring set)
20	70-7400	Outer valve spring	4	
21	70-1543	Top collar	4	
22	71-3748	Split cotter	8	
23	21-2201	Stud- cylinder head (3/8 in.)	4	
24	21-2200	Stud - cylinder head (5/16 in.)	2	
25	21-2204	Socket nut (3/8 in.)	4	
26	21-2205	Socket nut (5/16 in.)	2	
27	71-3553	Bridge plate	1	
28	82-2184	Washer	4	
29	14-0241	Bolt - cylinder head	4	
30	14-1401	Stud - rocker box	6	
31	70-3302	Washer	6	
32	14-0301	Nut	6	
33	21-2206	Bolt - rocker box	4	
34	21-1875	Bolt - rocker box	4	
35	60-4248	Washer	4	
36	21-2197	Stud	2	} Torque stay
37	37-2338	Distance piece	2	
38	60-2331	Washer	2	
39	14-1303	Nut	2	
40	71-2599	Rocker box gasket	2	
41	71-3668	Inlet rocker box	1	
42	71-7050	Exhaust rocker box	1	
43	71-3671	Tappet inspection cover	2	
44	71-3673	Gasket	2	
45	71-3549	Rocker spindle	2	
46	60-3548	Sealing ring	2	



CYLINDER BLOCK & HEAD, T140E

CYLINDER BLOCK AND HEAD, T140E (continued)

Ref No.	Part No.	Description	Quantity	Remarks
47	71-7044	Rocker (right exhaust, left inlet)	2	} Use from Engine No. 02690. UNF Thread
48	71-7043	Rocker (left exhaust, right inlet)	2	
49	71-0070	Ball pin	4	
50	71-7045	Adjuster pin	4	
51	14-0402	Lock nut	4	
52	70-1574	Spring washer	4	
53	70-1575	Thrust washer ($\frac{1}{2}$ in.)	6	
54	70-1330	Thrust washer ($\frac{3}{8}$ in.)	2	
55	14-7004	Screw - socket head	12	
56	60-3963	Washer	12	
58	71-2361	Dowel, rocker box to head	4	
60	71-2598	Plain washer	4	
61	71-3313	Connector rocker box breather	1	



CARBURETOR T140E

Ref. No.	Part No.	Makers Part No.	Description	Quantity	Remarks
Not illus.	99-7016	L2930/E2	CARBURETTOR, LEFT	1	less mounting rubber & choke linkage
Not illus.	99-7017	R2930/E1	CARBURETTOR, RIGHT	1	
1	99-7068	L2930/002	CARBURETTOR BODY LEFT	1	
1	99-7069	R2930/002	CARBURETTOR BODY RIGHT	1	
2	99-7070	2928/064	Mixing chamber top	2	
3	99-7071	2928/061	Throttle spring	2	
4	99-7072	2928/071	Needle retaining disc	2	
5	99-7073	2622/067	Needle clip	2	
6	99-7074	2928/030	Throttle needle 2C3	2	
7	99-7075	2928/060	Throttle slide No.3	2	
8	99-7076	2622/079	Cold start plunger assy	2	
9	99-7077	2622/075	Cold start lever & bracket assy	1	(LH Carb)
9A	99-7095	2622/169	Cold start lever & bracket assy	1	(RH Carb)
10	99-7078	2622/087	Cold start click spring	1	
11	99-7079	2928/062	Air intake adaptor	2	
12	99-7080	2622/073	Air intake adaptor screws	4	
13	99-7081	2928/031	Needle jet 105	2	
14	99-7082	622/128	Jet holder	2	
15	99-7083	376/100	Mainjet 200	2	
16	99-7084	2622/069	Float spindle	2	
17	99-0512	622/069	Float	2	
18	99-7086	622/149	Float needle	2	
19	99-0438	376/093	Filter	2	
20	99-1124	13/163	Banjo bolt washer	2	
21	99-0517	622/078	Banjo bolt	2	
22	99-0515	622/076	Pilot air screw	2	
23	99-0516	622/077	Throttle stop screw	2	
24	99-7085	124/026	Pilot jet 25	2	
25	99-7087	2622/070	Washer - float bowl	2	
26	99-7088	124/026	Jet - cold start 50	2	
27	99-7089	2622/139	Float bowl assy	2	
28	99-0521	2622/086	Float bowl screws	8	
29	99-7090	2622/065	Float bowl drain plug	2	
30	99-7091	2622/066	Float bowl drain plug washer	2	
31	60-7076	2928/123	Rubber connector	2	
32	60-7077	2928/146	Rubber connector clip	4	
33	99-7092	2622/145	Air Vent pipe	4	
34	99-7093	2622/134	Clip vent pipe	4	
35	71-7053		Link - cold start	1	
36	99-7096	4/035	Throttle cable adjuster	2	
37	99-7097	5/077	Throttle cable adjuster locknut	2	
38	99-0520	622/082	'O' Ring for air & throttle screw	4	
39	71-7054		Pivot pin	2	
40	60-7078		Fastener for pin	2	
	23-1031		Screw bracket to carb	3	Not illustrated
	60-2427		Washer	2	Not illustrated
	21-7028		Grub screw bracket to carb	1	Not illustrated
	21-7030		Plain washer	1	Not illustrated
	71-7052		Connector bracket	1	Not illustrated
	83-7257		Petrol pipe assy - use with 4 gall tank	1	Not illustrated
	83-7155		Petrol pipe assy - use with 3 gall tank	1	Not illustrated
	99-7094	2622/143	Pad backing disc	2	Not illustrated

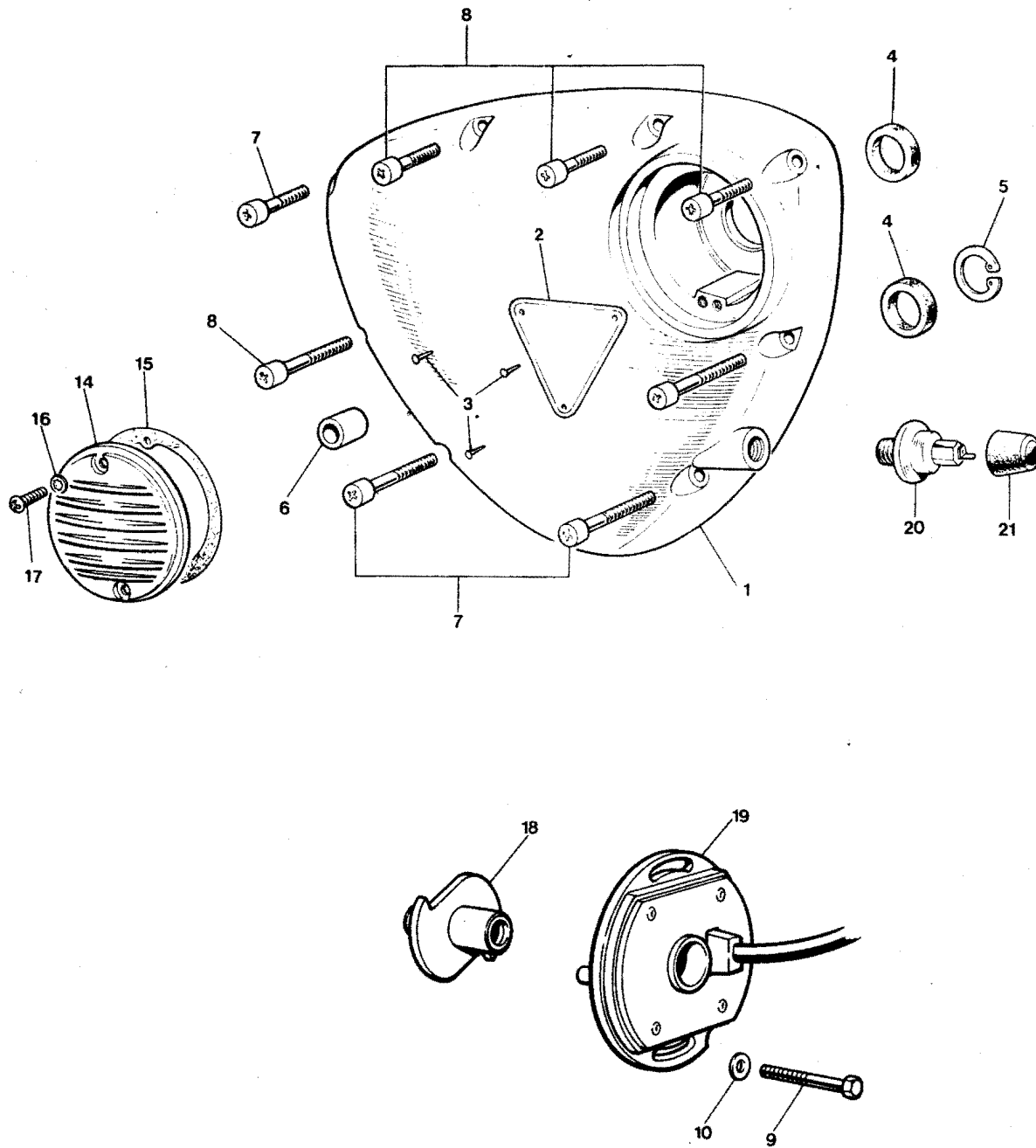
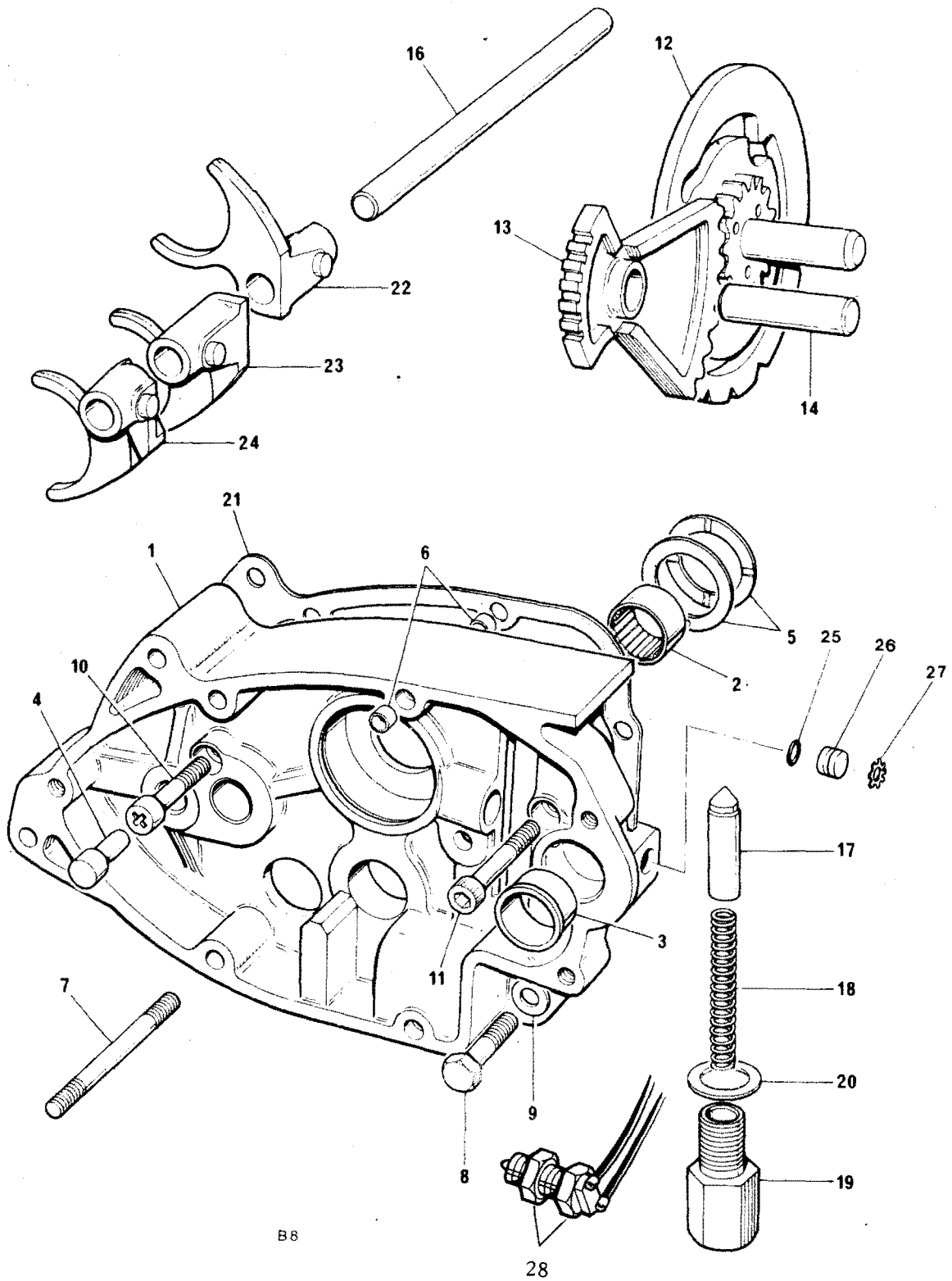


Fig. 10. TIMING COVER AND CONTACT BREAKER

TIMING COVER AND CONTACT BREAKER

Ref. No.	Part No.	Description	Quantity	Remarks
1	71-7042	Timing cover assy. C/W Patent plate	1	
	70-9246	Cover without Patent plate		
2	70-4016	Patent plate	1	
3	60-4255	Hammer-drive screw	3	
4	70-4568	Oil seal	2	
4	70-6387	Oil seal (0.020 in. undersize)		For reground crankshaft
5	70-4569	Circlip	1	
6	57-0989	Hollow dowel	2	
7	14-7007	Screw, long	2	
8	14-7006	Screw, short	6	
9	14-0207	Bolt	1	
10	70-8163	Plain washer	1	
11	70-4707	Rubber grommet	1	
12	70-7680	Pillar bolt	2	
13	70-6559	Plain washer	2	
14	71-7159	Cover	1	
15	71-1462	Joint washer	1	
16	97-0430	Fibre washer	2	
17	70-7354	Screw ($\frac{1}{2}$ in. U.H.)	2	
18	99-7043	Reluctor	1	Lucas 54400905
19	99-7044	Pulse sensor c/w lead	1	Lucas 54400766
20	60-3719	Oil pressure switch	1	PS 5330/103
21	71-2930	Cover pressure switch	1	



B8

Fig. 11 GEARBOX INNER COVER AND SELECTORS

GEARBOX INNER COVER AND SELECTORS

Ref. No.	Part No.	Description	Quantity	Remarks
1	57-7049	GEARBOX INNER COVER	1	
2	57-1614	Layshaft bearing	1	
3	57-7009	Gearchange spindle bush	1	
4	57-0045	Kickstart stop	1	
5	57-1607	Thrust washer	2	
6	57-0989	Hollow dowel	4	
7	21-2149	Stud	2	
8	21-1907	Bolt	1	
9	70-3446	Washer	1	
10	14-6608	Screw	1	
11	14-7023	Screw	1	
12	57-4889	Camplate	1	
13	57-7052	Operating quadrant (complete w/pin)	1	
14	57-7011	Quadrant spindle	1	
16	57-3989	Selector fork rod	1	
17	57-7020	Index plunger	1	
18	57-4459	Plunger spring	1	
19	57-4400	Housing, index plunger	1	
20	57-3978	Washer	1	
21	57-7012	Joint washer, inner cover to crankcase	1	
22	57-4364	Selector fork - mainshaft 4th gear	1	
23	57-4366	Selector fork - layshaft 3rd gear	1	
24	57-4660	Selector fork - layshaft 1st gear	1	
25	37-3761	'O' ring	1	
26	57-7015	Plug	1	
27	57-7016	Retainer	1	
28	60-7180	Switch neutral C/W lock nut	1	(Lucas 30702)
	57-7041	Operating pin	1	Not illustrated
	57-7046	Distance tube neutral switch	1	Not illustrated
	70-1335	Washer	1	Not illustrated

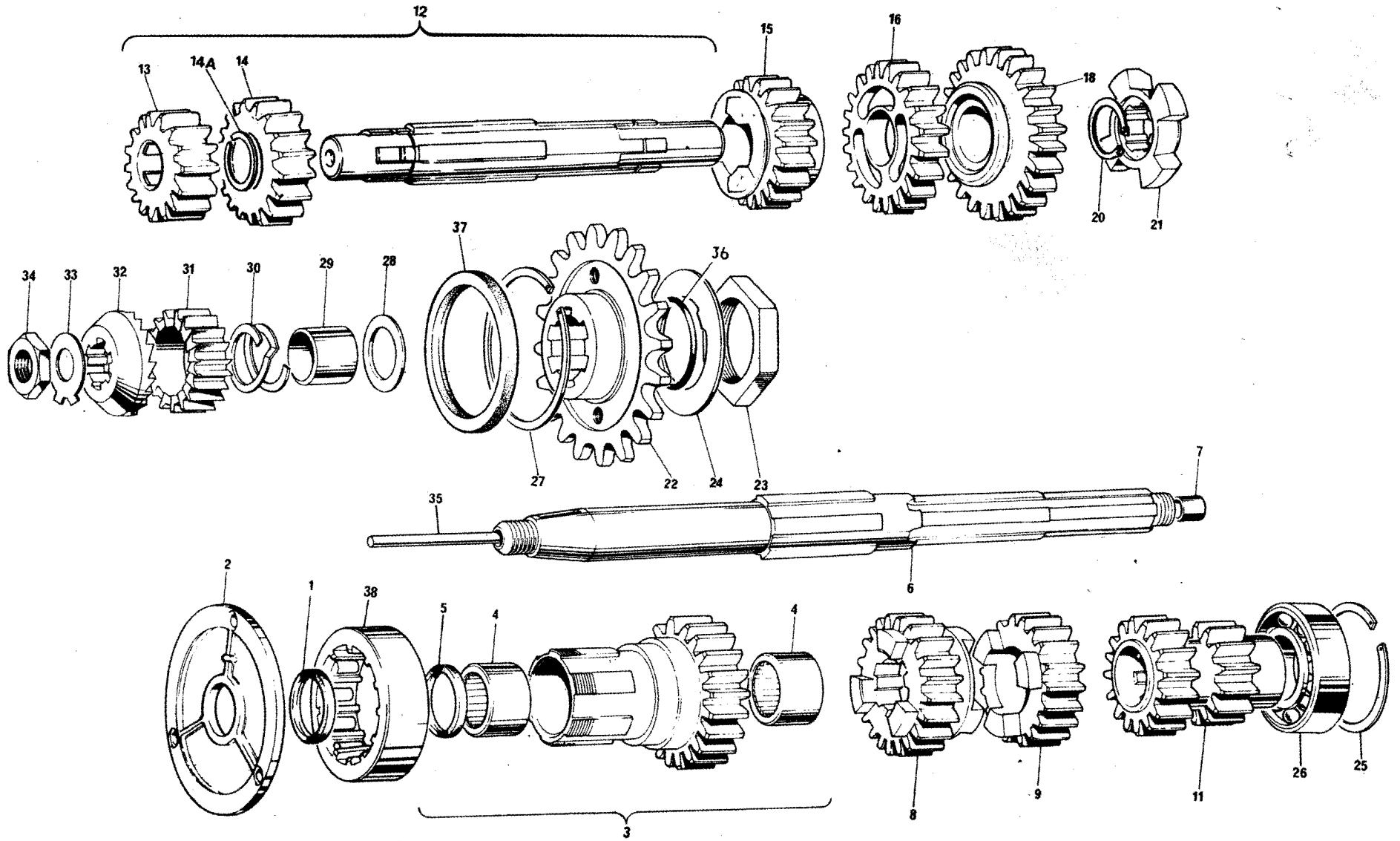


Fig. 12 GEARBOX SHAFTS AND GEARS (5 SPEED)

GEARBOX SHAFTS AND GEARS

Ref. No.	Part No.	Description	Quantity	Remarks
1	60-3500	Oil seal, cover plate	1	
2	70-3789	Cover plate	1	
3	57-4779	MAINSHAFT HIGH GEAR ASSEMBLY	1	
4	60-3511	Needle roller bearing	2	
5	60-3500	Oil seal, high gear	1	
6	57-4432	MAINSHAFT	1	
7	57-3988	Bush	1	
8	57-4376	Mainshaft 4th gear	1	
9	57-4377	MAINSHAFT 3rd GEAR Assy	1	
11	57-4653	Mainshaft 1st and 2nd gear	1	
12	57-4900	LAYSHAFT ASSY	1	
	57-4901	LAYSHAFT BARE		
13	57-4791	Layshaft high gear		
14	57-4787	Layshaft 4th gear Assy		
14A	57-4790	Circlip for layshaft high gear		
15	57-4647	Layshaft 3rd gear	1	
16	57-4657	LAYSHAFT 2nd GEAR Assy	1	
18	57-4654	LAYSHAFT 1st GEAR Assy	1	
20	60-3494	Circlip	1	
21	57-4661	Driving dog	1	
22	57-4782	Gearbox sprocket - 20T	1	
23	57-4396	Locknut	1	
24	57-4909	Lock washer	1	
25	70-0489	Circlip	1	
26	60-3552	Mainshaft bearing	1	Hoffman LS8 2 SPOT
27	57-4113	Circlip	1	
28	57-1962	Washer	1	
29	57-1963	Pinion sleeve	1	
30	57-1250	Pinion spring	1	
31	57-0730	Kickstart pinion	1	
32	57-0731	Kickstart ratchet	1	
33	57-2240	Tab washer	1	
34	21-0594	Nut	1	
35	57-1736	Clutch operating rod	1	
36	71-1070	'O' ring, gearbox sprocket	1	
37	60-3512	Oil seal, gearbox sprocket	1	
38	60-4100	High gear bearing	1	
	57-4784	Gearbox sprocket 18T	1 (optional)	
	57-4783	Gearbox sprocket 19T	1 (optional)	

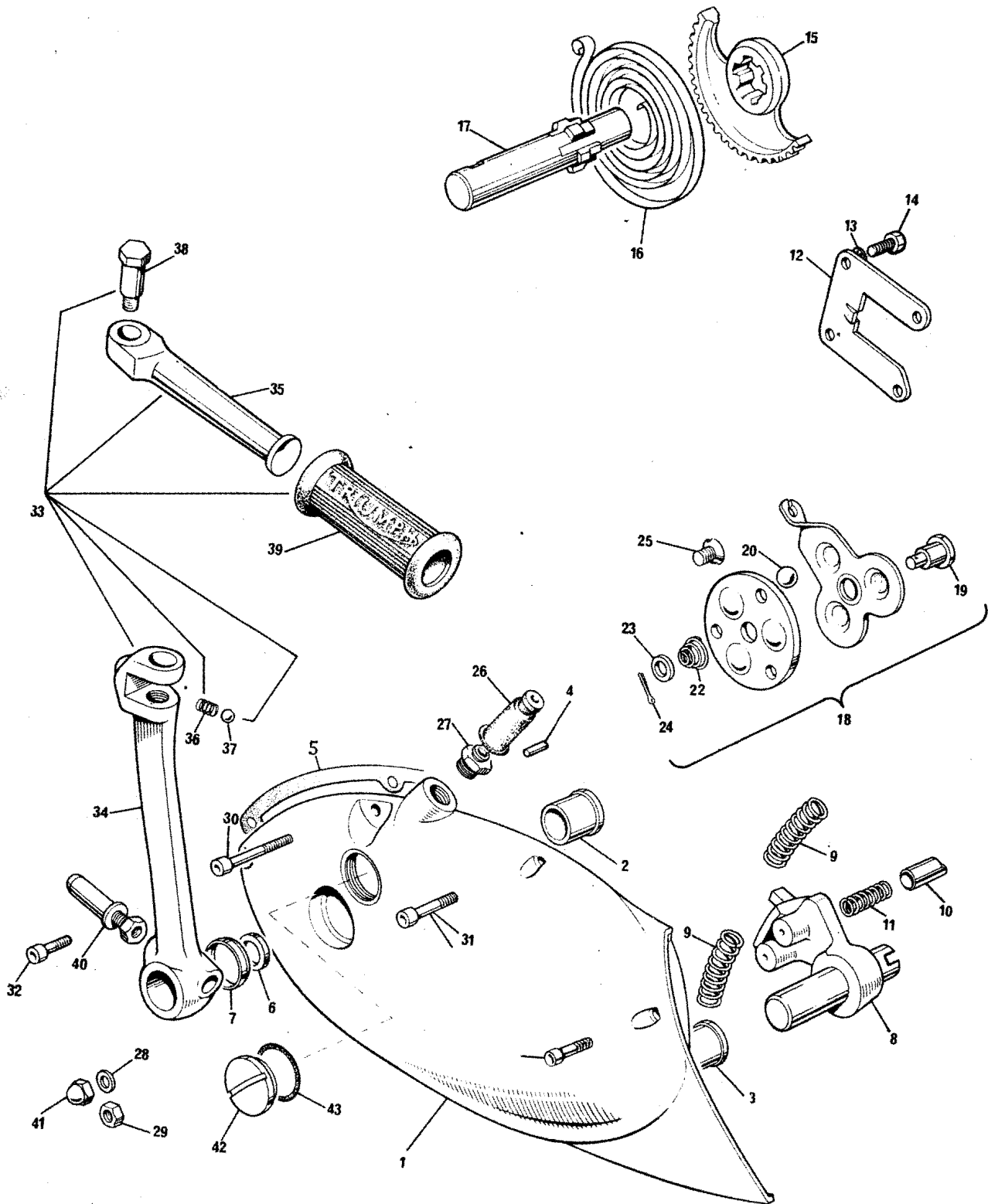


Fig. 13. GEARBOX OUTER COVER

GEARBOX OUTER COVER

Ref. No.	Part No.	Description	Quantity	Remarks
1	57-7050	GEARBOX OUTER COVER	1	
2	57-0023	Kickstarter spindle bush	1	
3	57-7008	Gearchange spindle bush	1	
4	57-0047	Kickstarter spring anchor pin	1	
5	71-1448	Gasket outer cover	1	
6	57-1956	Oil seal	1	
7	57-1955	Oil seal housing	1	
8	57-7021	Gearchange quadrant assembly	1	
9	57-7051	Quadrant return spring	2	
10	57-4403	Gearchange quadrant plunger	2	
11	57-0405	Plunger spring	2	
12	57-0407	Guide plate	1	
13	70-1612	Serrated washer	4	
14	14-6103	Bolt - guide plate	4	
15	57-4117	Kickstarter quadrant	1	
16	57-0031	Kickstarter return spring	1	
17	57-4756	Kickstarter axle	1	
18	57-7033X	Clutch lever assembly	1	(79 models only)
19	57-1710	Lever shaft	1	
20	60-2368	Ball, 3/8 in. diam.	3	
22	57-1712	Return spring	1	
23	57-3673	Plain washer	1	
24	60-2701	Split pin (5/64 in. x 1/2 in.)	1	Reference only
25	21-1879	Countersunk screw	2	
26	57-1646	Rubber cover	1	
27	57-3762	Abutment for clutch cable	1	
28	60-4247	Plain washer	2	
29	14-1302	Nut	1	
30	14-7013	Screw cover to crankcase	2	
31	14-7007	Screw outer cover to inner	2	
32	14-7006	Screw outer cover to inner	1	
33	57-7018	FOLDING KICKSTARTER ASSEMBLY	1	
34	57-2173	Kickstarter crank	1	
35	57-7017	Kickstarter pedal	1	
36	57-1167	Pedal locating spring	1	
37	60-2364	Steel ball, 1/4 in. diam.	1	
38	21-0541	Pedal bolt	1	
39	57-2330	Pedal rubber	1	
40	57-4356	Cotter pin c/w nut and washer	1	
41	21-0544	Domed nut	1	
42	57-2166	Filler plug	1	
43	70-8782	'O' ring	1	

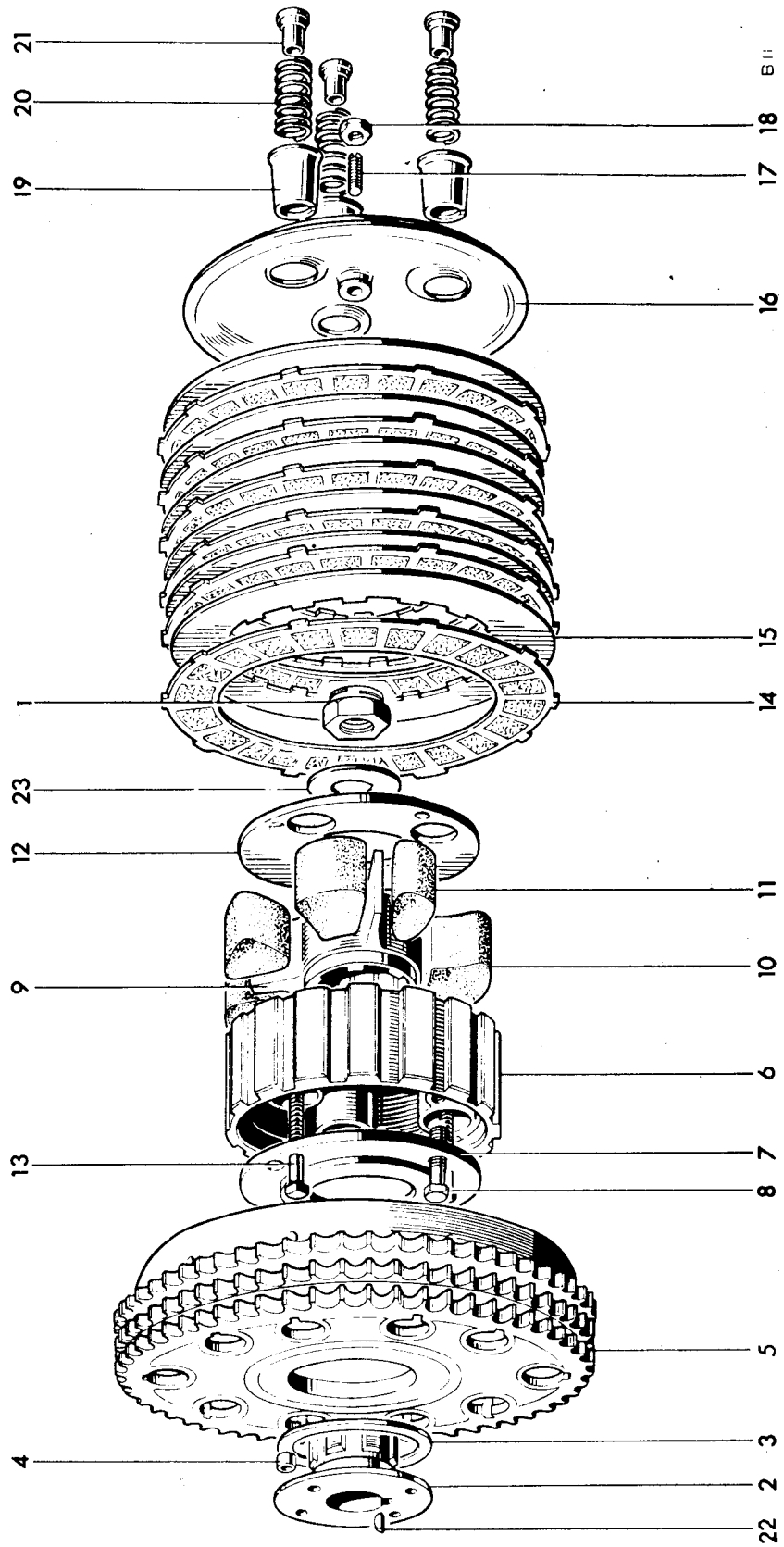


Fig. 14. CLUTCH

CLUTCH

Ref. No.	Part No.	Description	Quantity	Remarks
1	21-0586	Clutch securing nut	1	
2	57-3929	Hub	1	
3	57-3931	Thrust washer	1	
4	57-0394	Roller	20	
5	57-4640	Sprocket and housing	1	
6	57-4438	Centre	1	
7	57-4436	Inner plate	1	
8	21-2157	Bolt	3	
9	57-4636	Shock absorber spider	1	
10	57-1722	Drive rubber (large)	3	
11	57-1723	Rebound rubber (small)	3	
12	57-4437	Outer plate	1	
13	57-4754	Screwed pin	3	
14	57-4763	Driving plate (bonded)	6	
15	57-1363	Driven plate	6	
16	57-4590	Pressure plate	1	
17	57-2159	Adjuster pin	1	
18	14-0403	Nut	1	
19	57-1931	Spring cup	3	
20	57-4644	Spring	3	
21	57-2526	Pressure nut	3	
22	60-4253	Key	1	
23	57-4794	Washer	1	
Not illustrated	57-4903	Clutch assembly complete	1	
Not illustrated	57-4435	Clutch shock absorber assembly complete	1	

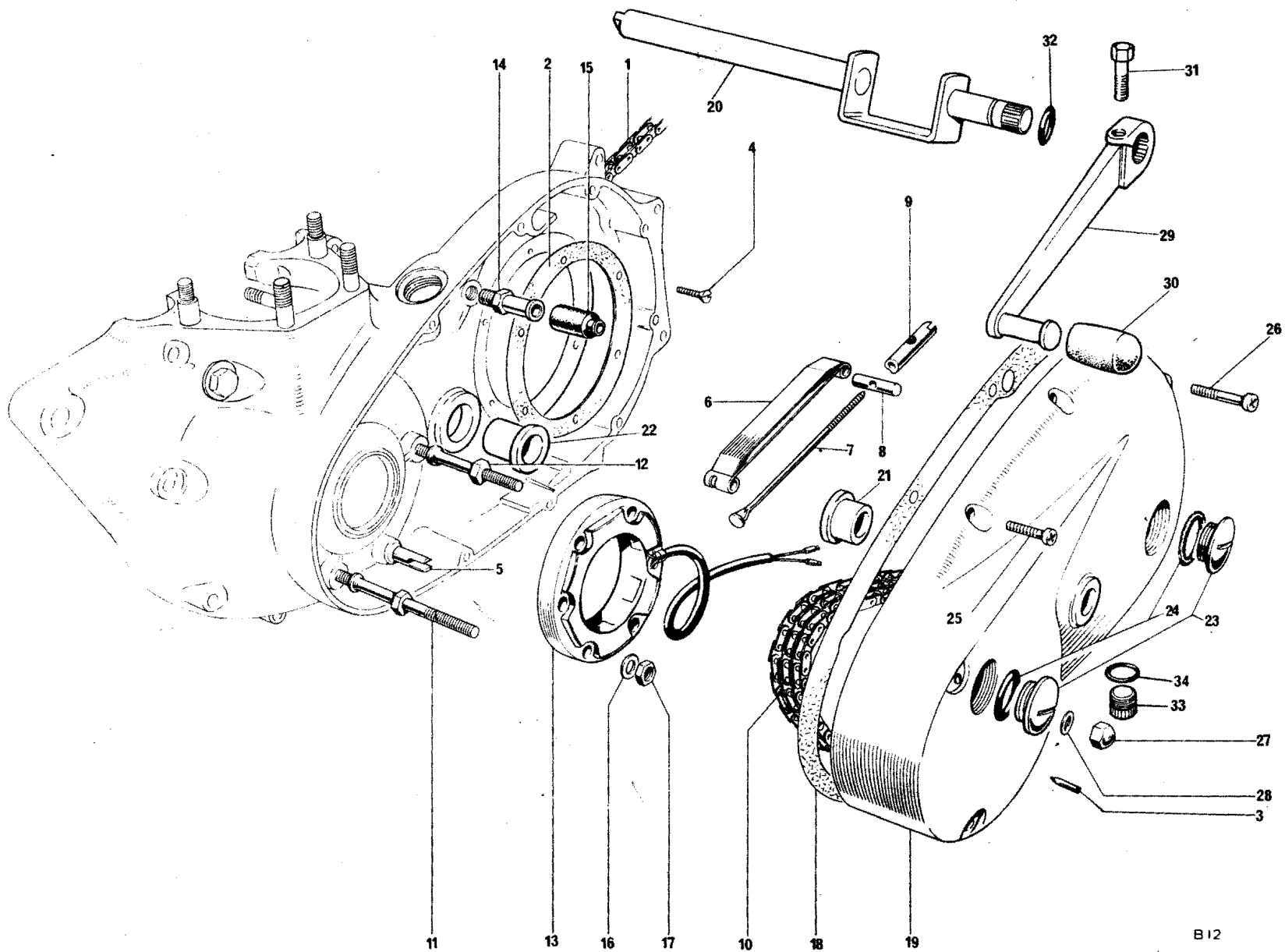


Fig. 15. CHAINCASE AND CHAINS

B12

CHAINCASE AND CHAINS

Ref. No.	Part No.	Description	Quantity	Remarks
1	60-2118	Rear chain, 5/8 in. x 3/8 in. x 107 links	1	(110056/107)
2	71-1419	Joint washer	1	
3	71-3892	Timing pointer	1	
4	70-3821	Countersunk screw	6	
5	70-5088	Chain tensioner abutment	1	(also listed with crankcase group)
6	70-5085	Chain tensioner blade	1	
7	70-4152	Tie rod	1	
8	70-5087	Trunnion	1	
9	70-9703	Adjuster sleeve nut	1	
10	60-4125	Primary chain, 3/8 in. Triplex x 84 links	1	(116038/84)
11	21-2199	Stator stud	2	
12	21-2198	Stator stud	1	
13	99-7057	Stator RM24	1	(Lucas 47252)
14	70-9360	Sleeve nut	1	
15	70-4144	Rubber grommet	1	
16	60-4247	Plain washer	3	
17	14-0702	Self-locking nut	3	
18	71-7009	Joint washer	1	
19	71-7003	Chaincase	1	
20	57-7003	Foot change spindle	1	
21	57-0023	Bushing	1	
22	57-7009	Bushing	1	
23	71-3895	Inspection plug	2	
24	71-3896	'O' ring	2	
25	14-7006	Screw	6	
26	14-7019	Screw	2	
27	21-0544	Domed nut	2	
28	82-1880	Copper washer	2	
29	57-7010	Gearchange pedal	1	
30	57-2450	Pedal rubber	1	
31	14-0201	Bolt	1	
32	60-2640	'O' ring shift spindle	1	
33	14-7017	Drain plug - primary cover	1	
34	70-6299	'O' ring - drain plug	1	

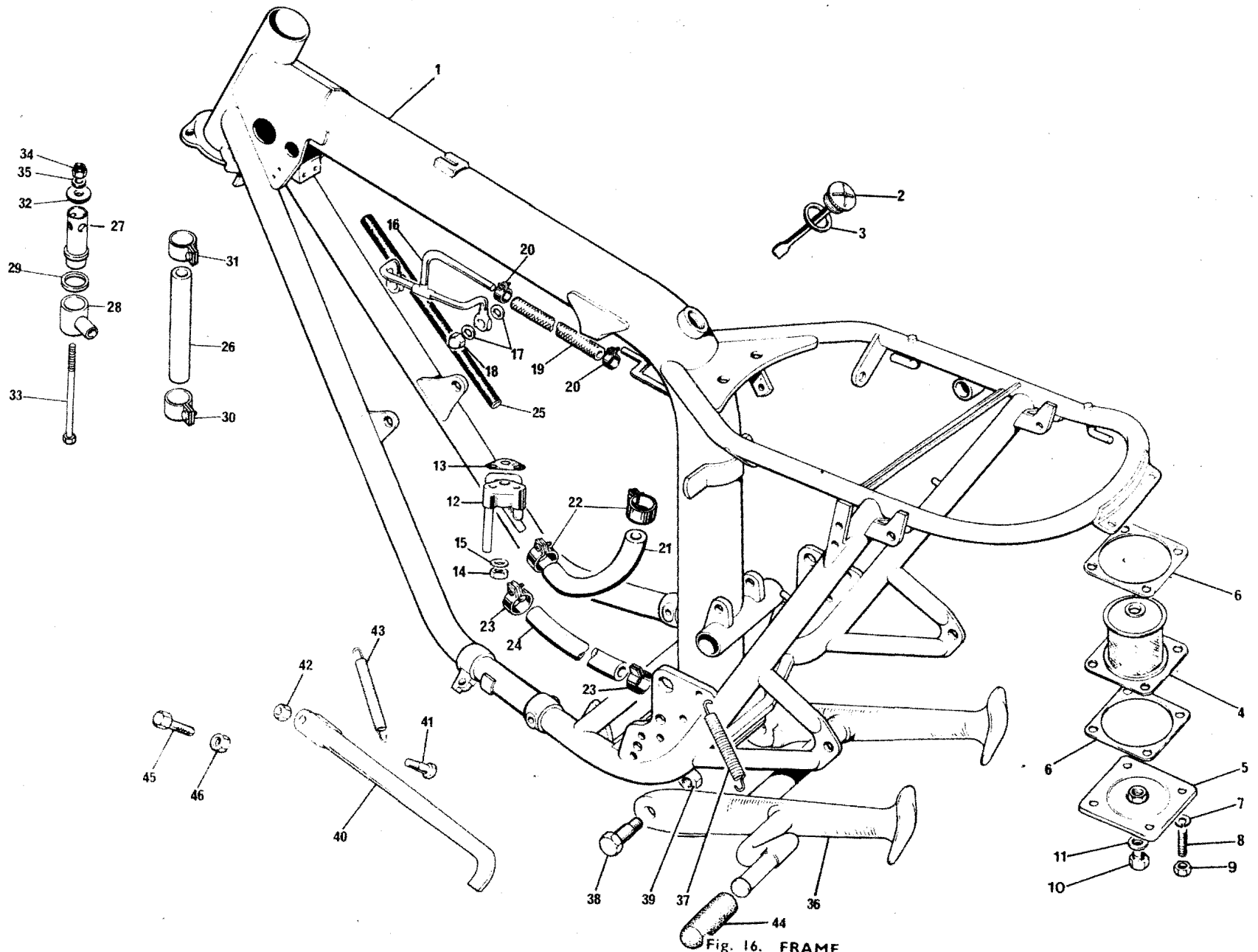


Fig. 16. FRAME

36

FRAME

Ref. No.	Part No.	Description	Quantity	Remarks
1	83-7236	Frame	1	
2	71-3463	Oil Filler cap	1	
3	60-3616	'O' ring	1	
4	83-4783	Oil filter	1	
5	71-3316	Sump plate	1	
6	83-2829	Gasket	2	
7	60-2330	Washer	4	
8	21-2109	Stud	4	} Sump plate to frame
9	14-1302	Nut	4	
10	82-5343	Drain plug	1	
11	70-1335	Copper washer - Drain plug	1	
12	71-7176	Oil junction block	1	
13	71-3754	Joint washer	1	
14	21-1908	Nut	1	} Junction block to crankcase
15	70-3446	Washer		
16	71-3550	Rocker oil pipe	1	
17	70-1335	Washer	4	
18	21-0550	Nut	2	
19	71-3551	Rocker feed pipe	1	
20	70-6848	Clip - rocker feed pipe	2	
21	71-7058	Oil return pipe	1	
22	70-6848	Clip - return pipe	2	
23	82-9073	Clip - feed pipe	2	
24	71-7015	Oil feed pipe	1	
25	83-7154	Oil tank vent pipe - to rocker box	1	T140
26	83-7323	Breather pipe - crankcase to air box	1	T140
27	83-7145	Breather tower	1	T140
28	83-7148	Banjo union	1	T140
29	70-1465	Washer - banjo union	1	T140
30	60-2252	Clip - breather pipe to adaptor	1	T140
31	60-7117	Clip - breather pipe to banjo	1	T140
32	83-7151	Cap - breather tower top	1	T140
33	14-0213	Bolt - breather tower to air box	1	T140
34	14-1901	Nut - breather tower to air box	1	T140
35	70-2441	Washer - breather tower to air box	1	T140
36	83-4941	Centre stand	1	
37	83-3793	Spring	1	
38	21-2077	Pivot bolt	2	
39	14-1304	Nut	2	
40	83-1560	Prop stand	1	
41	82-7021	Bolt	1	
42	14-1303	Nut	1	
43	82-8382	Spring	1	
44	57-2331	Pedal rubber, centre stand	1	
45	14-0114	Bolt	1	} Prop stand stop
46	14-0402	Nut		
Not illus. 60-3361		Transfer "Made in England"	1	

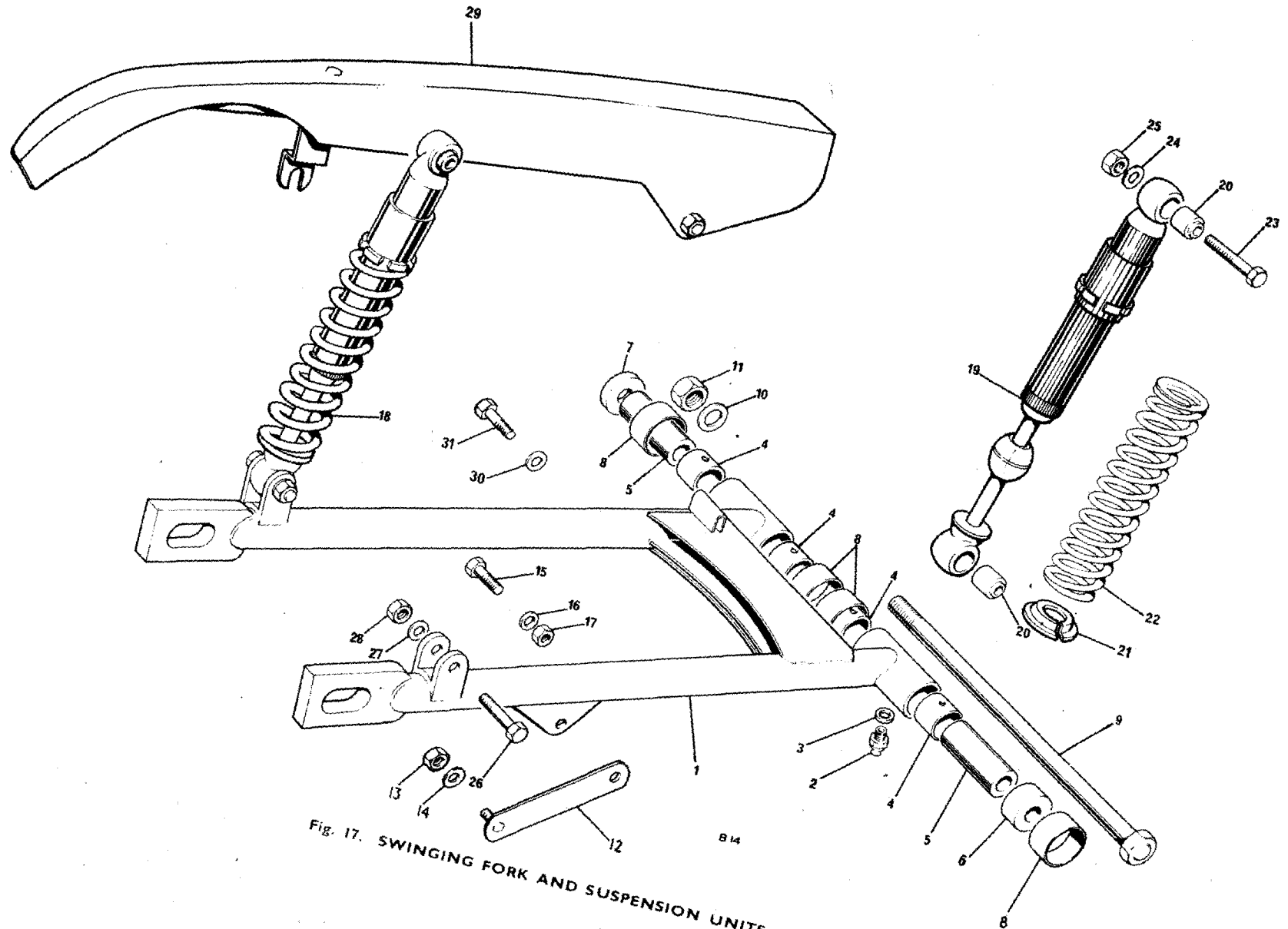
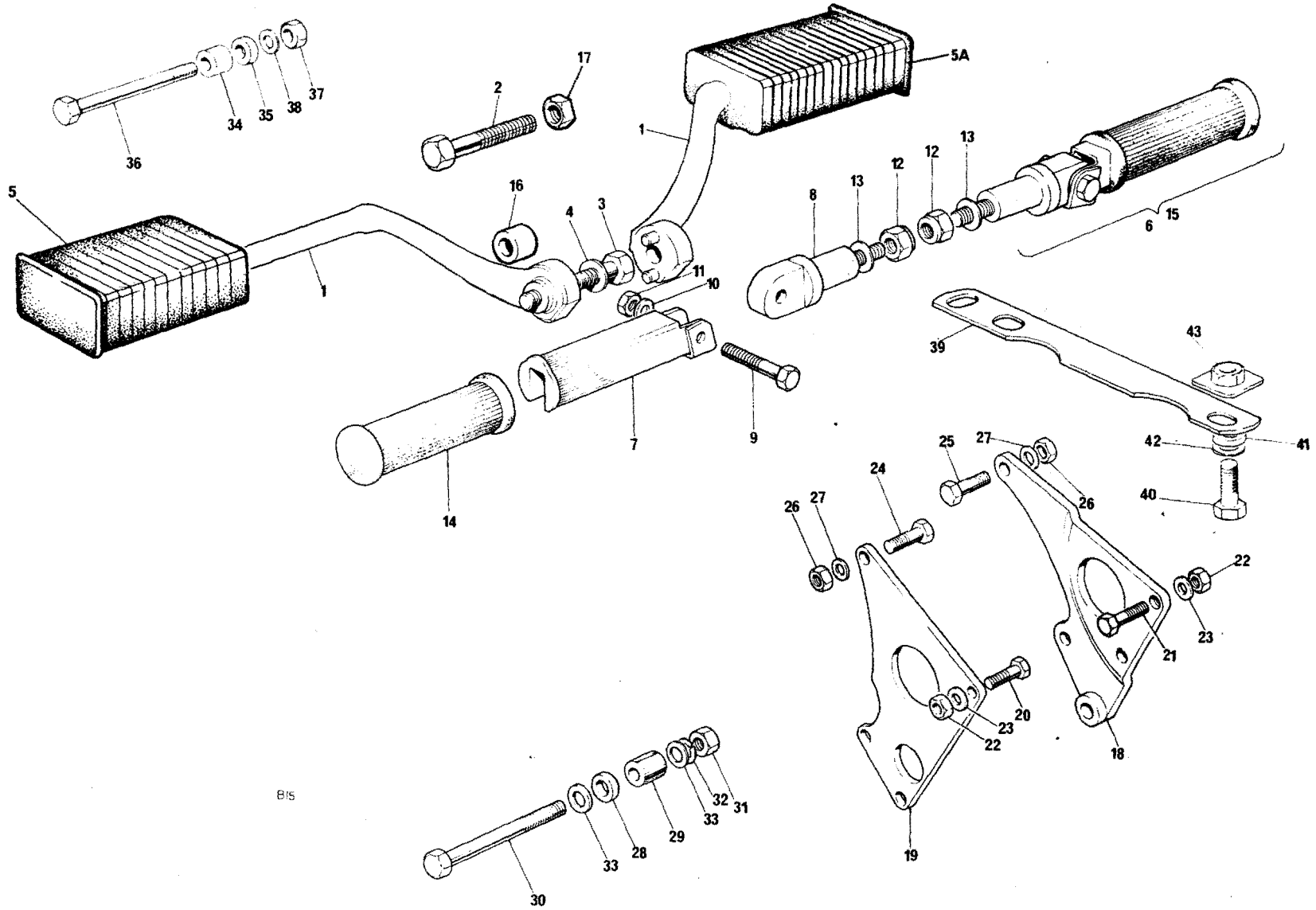


Fig. 17. SWINGING FORK AND SUSPENSION UNITS

B 14

SWINGING ARM AND SUSPENSION UNITS

Ref. No.	Part No.	Description	Quantity	Remarks
1	83-7035	SWINGING ARM	1	
2	60-1841	Grease nipple	2	
3	83-7221	Washer, grease nipple	2	
4	83-2521	Bush, pivot arm	4	
5	83-2691	Sleeve, swinging arm pivot	2	
6	83-2690	Distance piece R.H.	1	
7	83-2689	Distance piece L.H.	1	
8	83-2692	Dirt excluder	4	
9	21-2087	Pivot bolt - swinging arm	1	
10	83-2266	Washer, swinging arm pivot	2	
11	14-1307	Nut, swinging arm pivot	1	
12	83-7028	Brake torque stay	1	
13	14-1303	Nut	1	
14	60-4246	Washer	1	
15	21-7004	Bolt, torque stay to swinging arm	1	
16	60-2332	Washer, torque stay to swinging arm	1	
17	14-1304	Nut, torque stay to swinging arm	1	
18	60-703/	SUSPENSION UNIT		
		Girling 70056007	2	
19	99-7108	Damper unit		
		Girling 70056008	2	
20	99-7004	Rubber bush		
		Girling 64541161	4	
21	99-7005	Spring retainer		
		Girling 70520135	2	
22	99-1048	Spring chrome 100 lbs.		
		Girling 64543708	2	
23	14-0235	Bolt, damper - top	2	
24	60-2331	Washer, damper - top	2	
25	14-1303	Nut, damper - top	2	
26	14-0234	Bolt, damper, lower	2	
27	60-2331	Washer damper lower	2	
28	14-1303	Nut damper lower	2	
29	83-2641	Chainuard	1	
30	60-2347	Washer, chainuard fixing - front	1	
31	14-0206	Bolt, chainuard fixing front	1	

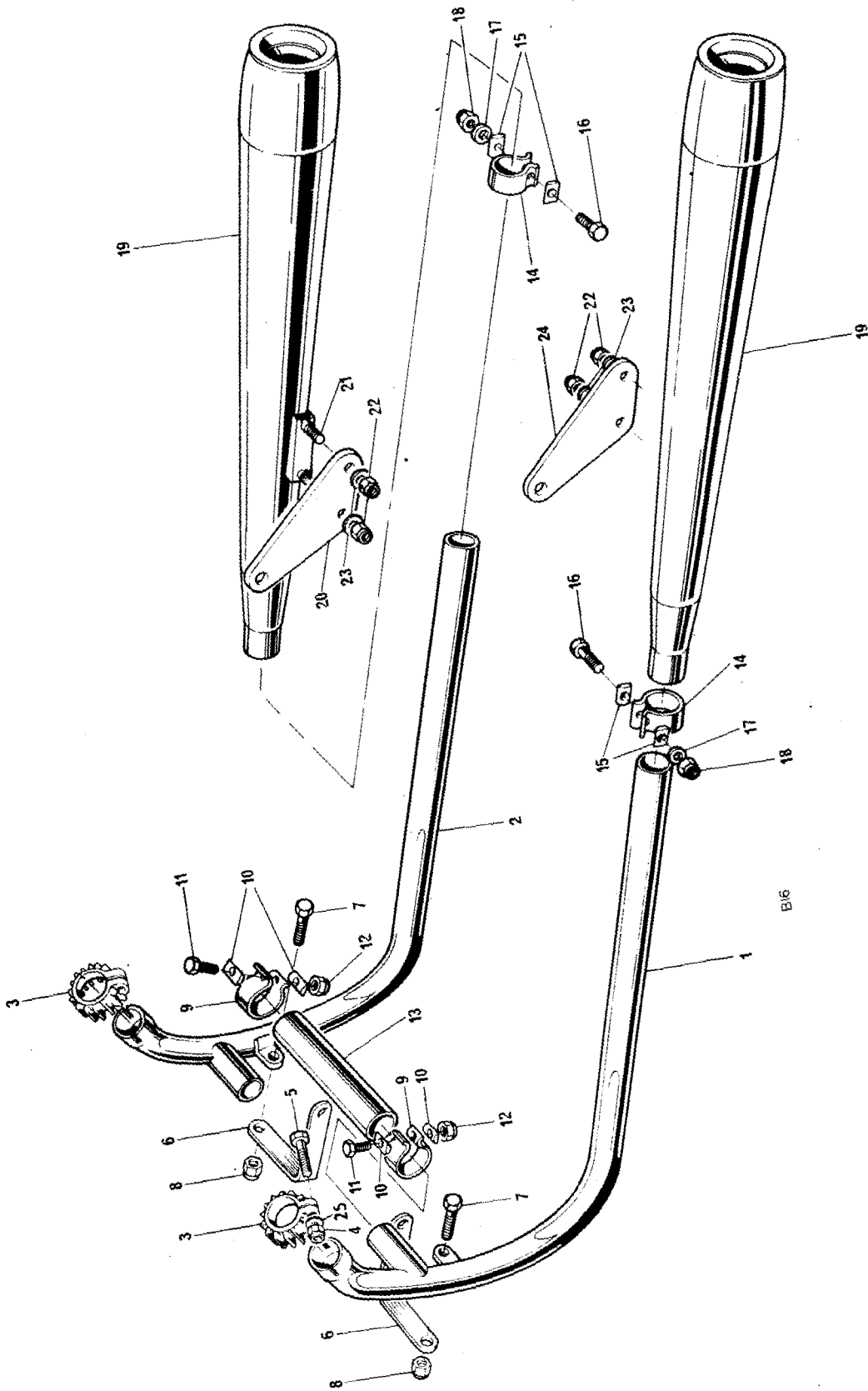


B/S

Fig. 18. MOTOR UNIT FITTING AND FOOTRESTS

MOTOR UNIT FITTINGS AND FOOTRESTS

Ref. No.	Part No.	Description	Quantity	Remarks
1	83-7040	Footrest - left and right	2	
2	14-0261	Footrest bolt, right	1	
3	14-0259	Footrest bolt, left	1	
4	60-2333	Washer	2	
5	83-7256	Footrest rubber LH	1	
5A	83-7259	Footrest rubber RH	1	
6	83-7026	PILLION FOOTREST ASSEMBLY RIGHT	1	
7	83-7059	Pedal	2	
8	21-7026	Anchor bolt, left	1	
8	21-7027	Anchor bolt, right	1	
9	14-0216	Bolt	2	
10	82-9089	Washer	2	Footrest swivel
11	14-1302	Nut	2	
12	14-1303	Nut	2	
13	82-2184	Washer	2	Footrest to frame
14	82-9054	Footrest rubber	2	
15	83-7025	PILLION FOOTREST ASSEMBLY LEFT	1	
16	83-3602	Distance piece left footrest	1	
17	14-1305	Footrest bolt nut	2	
18	83-7011	Rear motor plate right	1	
19	83-7009	Rear motor plate left	1	
20	14-0115	Bolt	4	Rear motor plates to frame
21	14-0116	Bolt	1	
22	14-1302	Nut	5	
23	60-2330	Washer	9	
24	14-0220	Bolt	2	
25	14-0221	Bolt	2	Motor to motor plates
26	14-1302	Nut	4	
27	60-2321	Washer	8	
28	83-2846	Distance piece - left	1	Motor to frame centre bottom
29	83-2847	Distance piece - right	1	
30	21-2112	Bolt	1	Motor fixing front
31	14-0304	Nut	1	
32	60-4251	Washer	1	Motor fixing front
33	60-2332	Washer	1	
34	83-2848	Distance piece - left	1	
35	83-2849	Distance piece - right	1	
36	14-0254	Bolt	1	
37	14-1304	Nut	1	Steady bracket motor to frame
38	60-2332	Washer	1	
39	83-3537	Steady bracket motor to frame	1	
40	14-0129	Bolt	1	Bracket to frame
41	83-3329	Distance piece	1	
42	60-2419	Washer	1	
43	83-4086	Attachment plate	1	



B16

FIG. 19. EXHAUST PIPES AND MUFFLERS

EXHAUST PIPES AND MUFFLERS.

Ref. No.	Part No.	Description	Quantity	Remarks
1	71-3755	Exhaust pipe - left	1	
2	71-3758	Exhaust pipe - right	1	
3	71-2465	Finned clip	2	
4	21-7009	Nut	2	
5	21-2230	Screw	2	
6	70-6857	Exhaust pipe stay	2	
7	14-2205	Screw	2	
8	14-1201	Nut	2	
9	70-7512	Clip	2	
10	70-3768	'D' washer	4	Exhaust pipes to coupling pipe
11	14-0217	Bolt	2	
12	14-1202	Nut	2	
13	70-9888	Coupling pipe	1	
14	70-5874	Clip	2	
15	70-3768	'D' washer	4	Exhaust pipes to mufflers
16	14-0219	Bolt	2	
17	60-4247	Washer	2	
18	14-1202	Nut	2	
19	71-4159	Muffler	2	
20	83-7021	Hanger - muffler right	1	
21	14-0102	Bolt	4	Muffler to hanger
22	14-1201	Nut	4	
23	60-4248	Washer	4	
24	83-7022	Hanger muffler left	1	
25	60-2416	Washer	2	

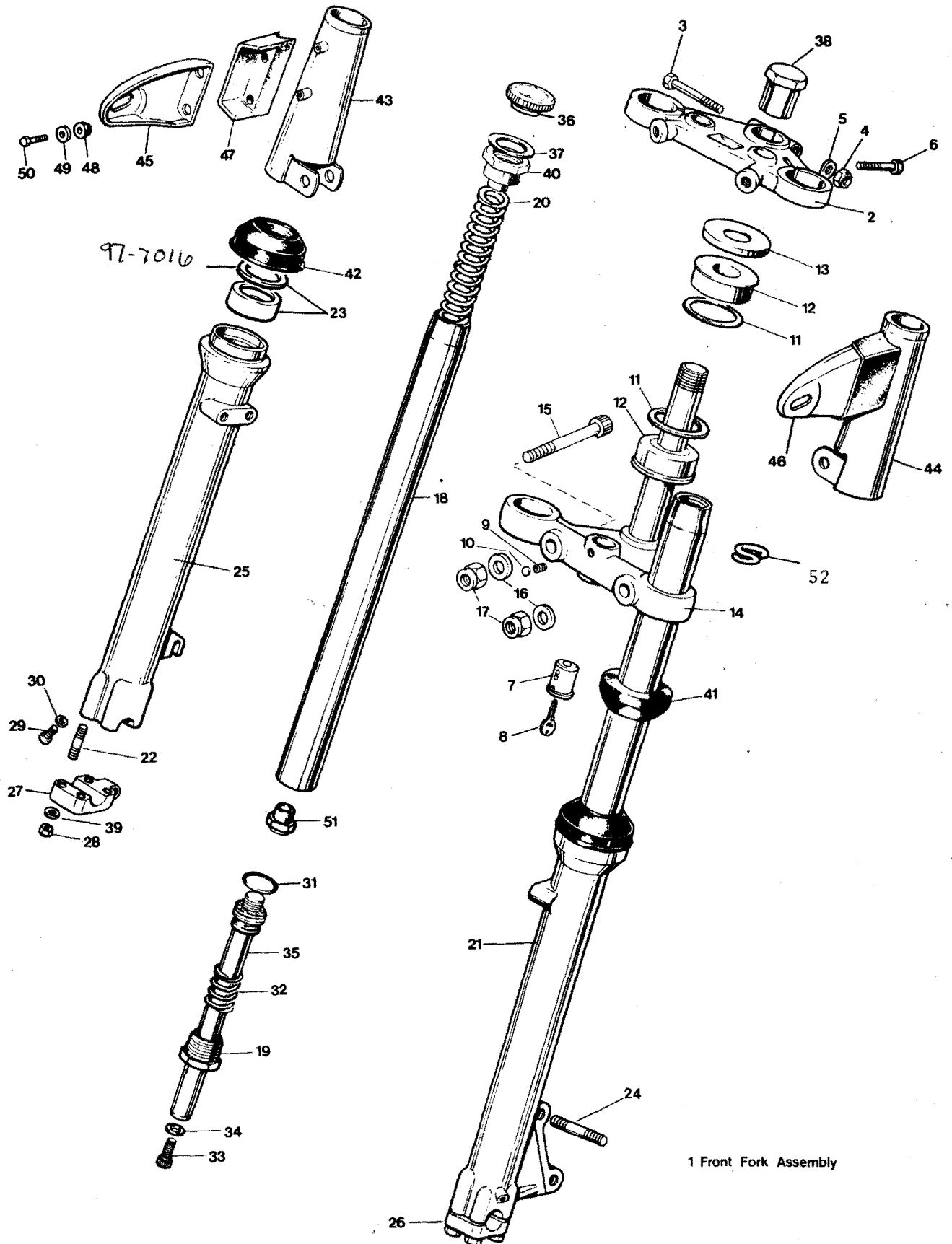
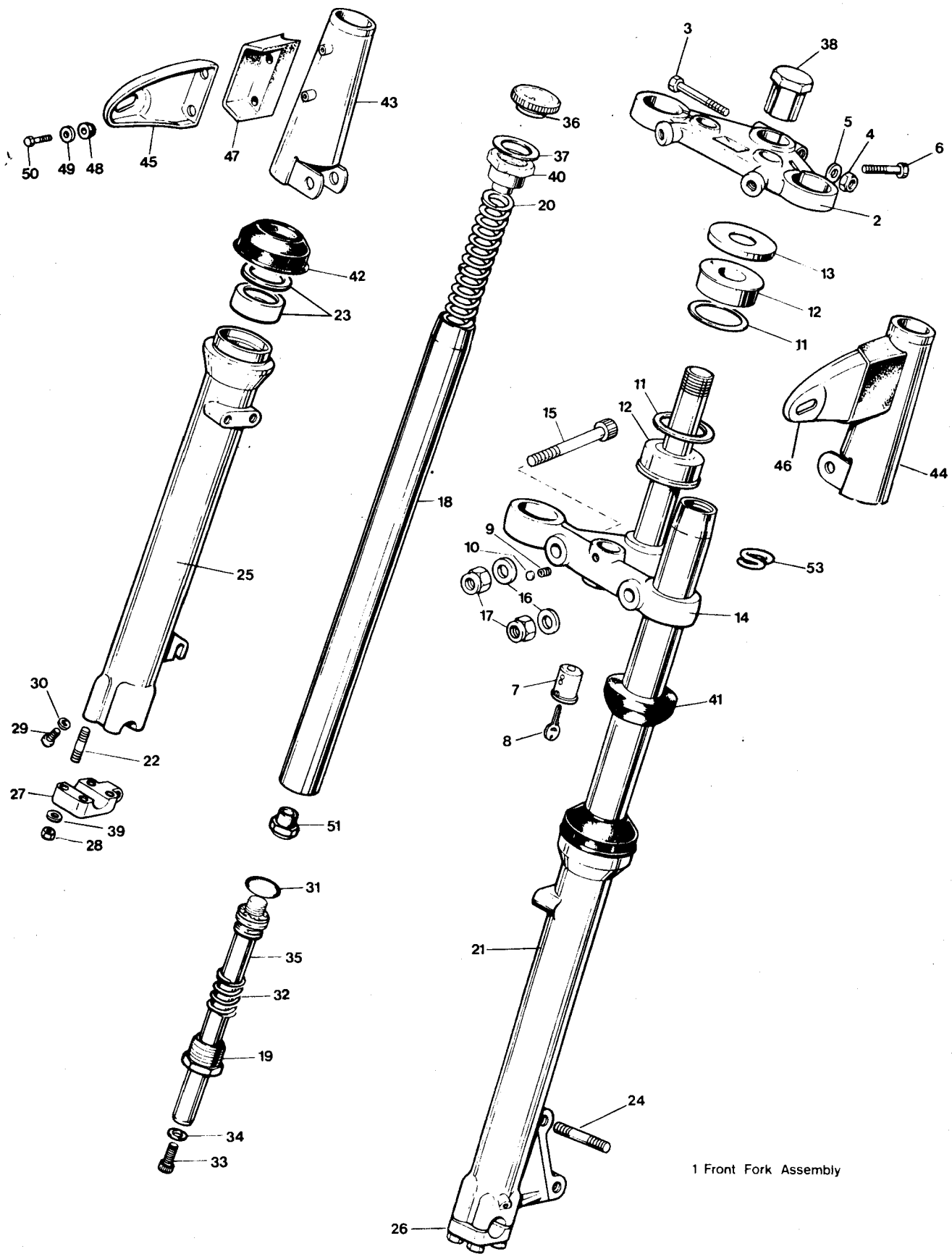


Fig. 20. TELESCOPIC FRONT FORK

TELESCOPIC FRONT FORK

Ref. No.	Part No.	Description	Quantity	Remarks
	97-7026	FORK ASSEMBLY	1	c/w gaiters
1	97-7027	FORK ASSEMBLY	1	less gaiters
2	97-7081	Top Yoke	1	
3	14-0234	Pinch bolt	1	
4	14-1303	Nut	1	
5	60-2331	Washer	1	
6	14-1034	Cap screw	2	
7	82-6738	Lock c/w 2 keys	1	
8	60-0623	Key (state serial no.)	1	
9	21-0578	Grub screw	1	
10	97-2266	Sealing washer	1	
11	83-2007	Abutment ring	2	
12	97-4031	Taper roller bearing	2	
13	97-4028	Dust cover	1	
14	97-7031	Bottom yoke and stem	1	
	14-0237	Pinch bolt, RIGHT	1	
15	97-4476	Eye bolt, LEFT	1	
16	82-2184	Washer	2	
17	14-1303	Nut	2	
18	97-4380	Stanchion	2	
19	97-4076	End plug	2	
20	97-4011	Main spring	2	
21	97-4399	OUTER MEMBER - LEFT	1	
22	21-2102	Stud	8	
23	97-7079	Oil seal c/w retainer	2	
24	21-2189	Stud, caliper mounting	2	
25	97-4579	OUTER MEMBER - RIGHT	1	
26	97-4456	CAP - WHEEL SPINDLE LEFT	1	
27	97-4457	CAP - WHEEL SPINDLE RIGHT	1	
28	14-0302	NUT	8	
29	97-3894	Drain plug	2	
30	97-3893	Washer	2	
31	97-4003	'O' ring	2	
32	97-4009	Recoil spring	2	
33	14-1019	Cap screw	2	
34	97-4004	Cap screw seal	2	
35	97-4325	Damper tube and valve assembly	2	
36	97-7034	Cap screw assy c/w insert	2	
36A	97-7971	Cap screw assy		(from eng
37	97-4166	Washer	2	NA14242)
38	97-4317	Steering stem nut	1	
38A	97-7070	Steering stem nut		(from eng
39	60-2428	Washer - for nut line 28	8	NA14242)
40	97-4387	Top nut	2	
41	97-4461	Rubber ring, outer cover	2	
42	97-4002	Scraper sleeve	2	USA



1 Front Fork Assembly

Fig. 20. TELESCOPIC FRONT FORK

TELESCOPIC FRONT FORK (continued)

Ref. No.	Part No.	Description	Quantity	Remarks
43	97-4480	Outer cover - left	1	
44	97-4481	Outer cover - right	1	
45	97-4564	Headlamp bracket - left	1	
46	97-4203	Headlamp bracket - right	1	
47	97-2208	Rubber mounting	2	
48	97-2209	Rubber buffer	4	
49	97-2210	Backing washer	4	
50	21-2095	Attachment bolt	4	
51	97-4012	Nut, damper valve	1	
52	97-7057	Cable guide - speedo - tacho cable	2	
Not illus.	82-6784	Grommet, throttle cable	1	
Not illus.	97-1510	Gaiter - fork outer cover	2	Not USA

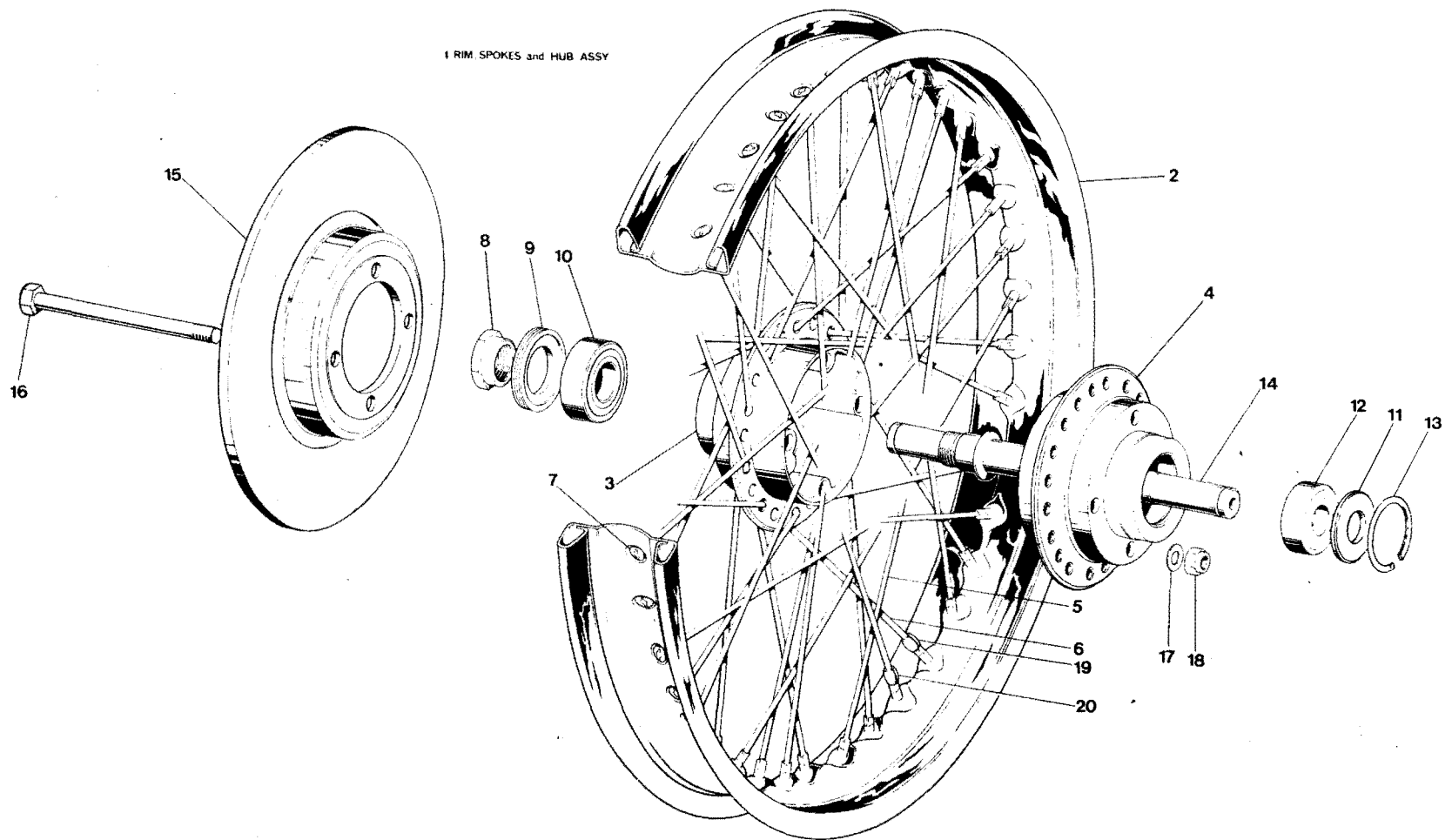


Fig. 22 FRONT WHEEL

FRONT WHEEL

Ref. No.	Part No.	Description	Quantity	Remarks
1	37-7057	Rim, Spokes and Hub Assy	1	
2	37-4129	Rim WM2 x 19	1	
3	37-7058	Hub - Left half	1	
4	37-7059	Hub - Right half	1	
5	37-4131	Spoke - Outer	20	
6	37-4130	Spoke - Inner	20	
7	37-2294	Nipple	40	
8	37-4133	Nut - Wheel Spindle	1	
9	37-4134	Lock ring - left	1	
10	37-7041	Bearing - left	1	
11	37-1237	Dust cover - right	1	
12	37-7042	Bearing - right	1	
13	57-0280	Circlip - right	1	
14	37-4132	Spindle	1	
15	37-4275	Disc	1	
16	21-2207	Bolt)	4	
17	70-8770	Washer) Disc to hub	8	
18	14-1203	Nut)	4	
19	37-3969	Balance weight - short	As reqd	
20	37-3970	Balance weight - long	As reqd	

REF. 1 MASTER CYLINDER COMPLETE

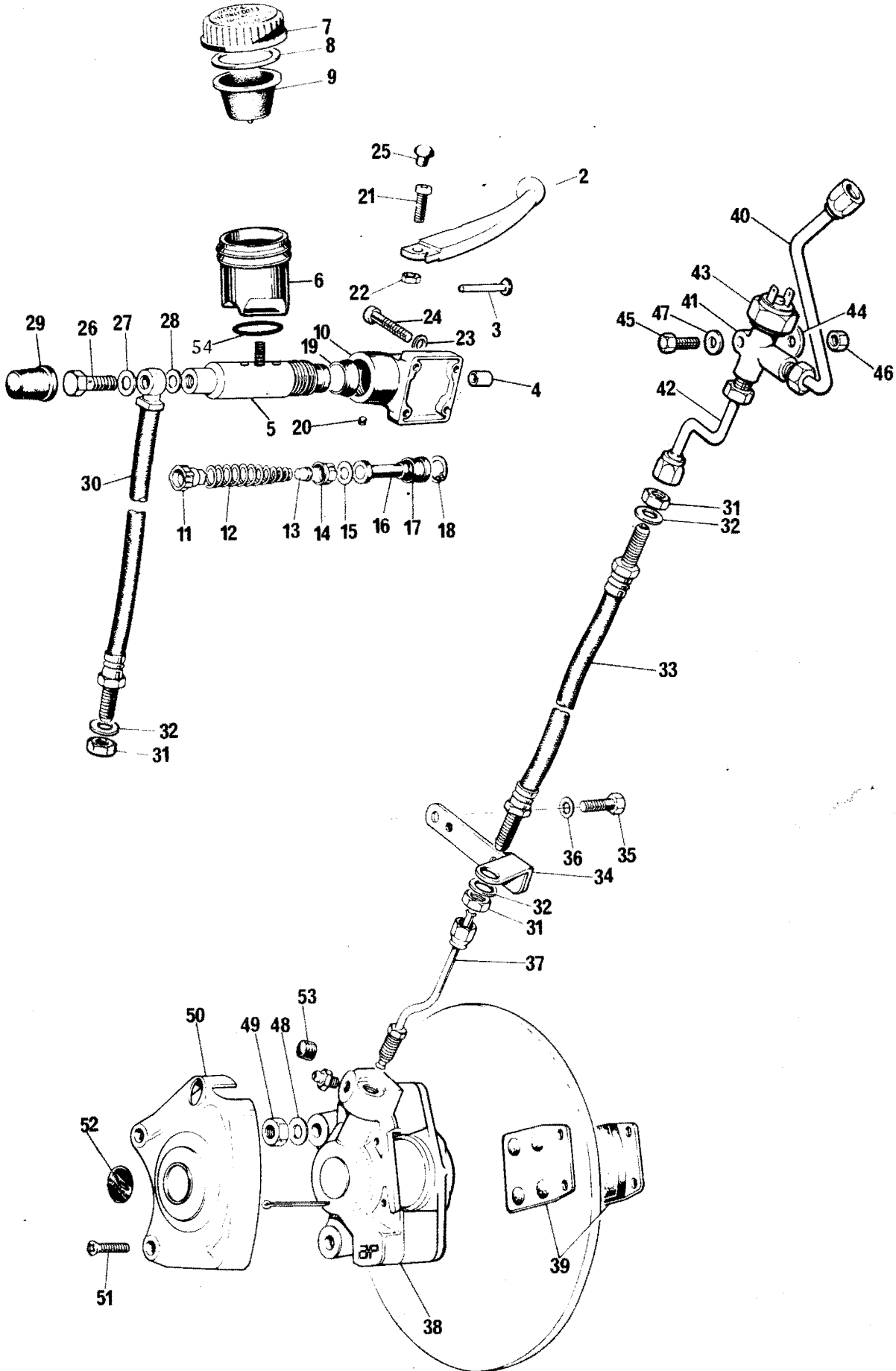


Fig. 23. FRONT BRAKE

FRONT BRAKE

Ref. No.	Part No.	Makers Part No.	Description	Quantity	Remarks
1	60-7163	4222-986	MASTER CYLINDER ASSY	1	
2	97-5074		Brake lever	1	
3	60-7158		Push Rod	1	
4	60-7165		Rush for Pushrod.	1	
5	99-7027	4211-046	Barrel & stud assembly	1	
6	60-4397	3251-796	Body reservoir	1	
7	60-4365	3847-240	Cap	1	
8	60-4328		Washer	1	
9	60-4366	3818-747	Diaphragm	1	
10	60-7164		Master cyl mtg body	1	
11	99-2754	4312-318	Trap valve	1	} Ref only
12	99-2755	3118-234	Spring	1	
13	99-2756	3675-216	Spring retainer	1	
14	99-2757	3842-424	Primary cup	1	
15	99-2758	106418	Piston washer	1	
16	99-2759	3261-553	Piston	1	
17	99-2760	3871-502	Secondary cup	1	
18	99-2761	K29103	Circlip	1	
19	99-2762	3811-420	Rubber boot	1	
20	99-2763	3476-209	Grub screw	1	
21	21-2191		Pivot screw	1	
22	14-1201		Nut	1	
23	23-1555		Washer	4	
24	21-7038		Screw	4	
25	97-7037		Plug	1	
26	60-4183	AP40320	Banjo bolt	1	
27	60-4182	KL44516	Sealing washer	1	
28	60-4184	K144518	Sealing washer	1	
29	60-4626	AP3187/811	Rubber boot	1	
30	60-7174		Hose, master cylinder/top yoke c/w boot	1	for high handlebar
30	60-4177	APKL563	Hose, master cylinder/top yoke	1	for low handlebar
31	60-4180	K24103	Locknut	3	
32	70-2288		Washer	3	
33	60-4175	KL56612	Hose, bottom yoke/fork leg	1	
34	83-7064		Bracket - pipe support	1	
35	14-0103		Bolt	2	} Bracket to fork leg and bridge piece
36	60-2427		Washer	2	
37	60-4178	ZTA2070N	Pipe, fork leg/caliper	1	
38	60-4101	4823-432	CALIPER	1	
39	99-2769	LDG750DC230	Brake pad kit	1	
40	60-7177		Pipe - top lug to 'T'	1	
41	60-7176	K24103	'T' piece	1	
42	60-7178		Pipe - 'T' to middle lug	1	
43	60-7155		Brake switch Lucas 2SH34619	1	
44	97-7042		Bracket 'T' piece	1	
45	14-0105		Screw - bracket to 'T'	1	
46	14-1301		Nut - bracket to 'T'	1	
47	60-2329		Washer - bracket to 'T'	1	

FR CYLINDER COMPLETE

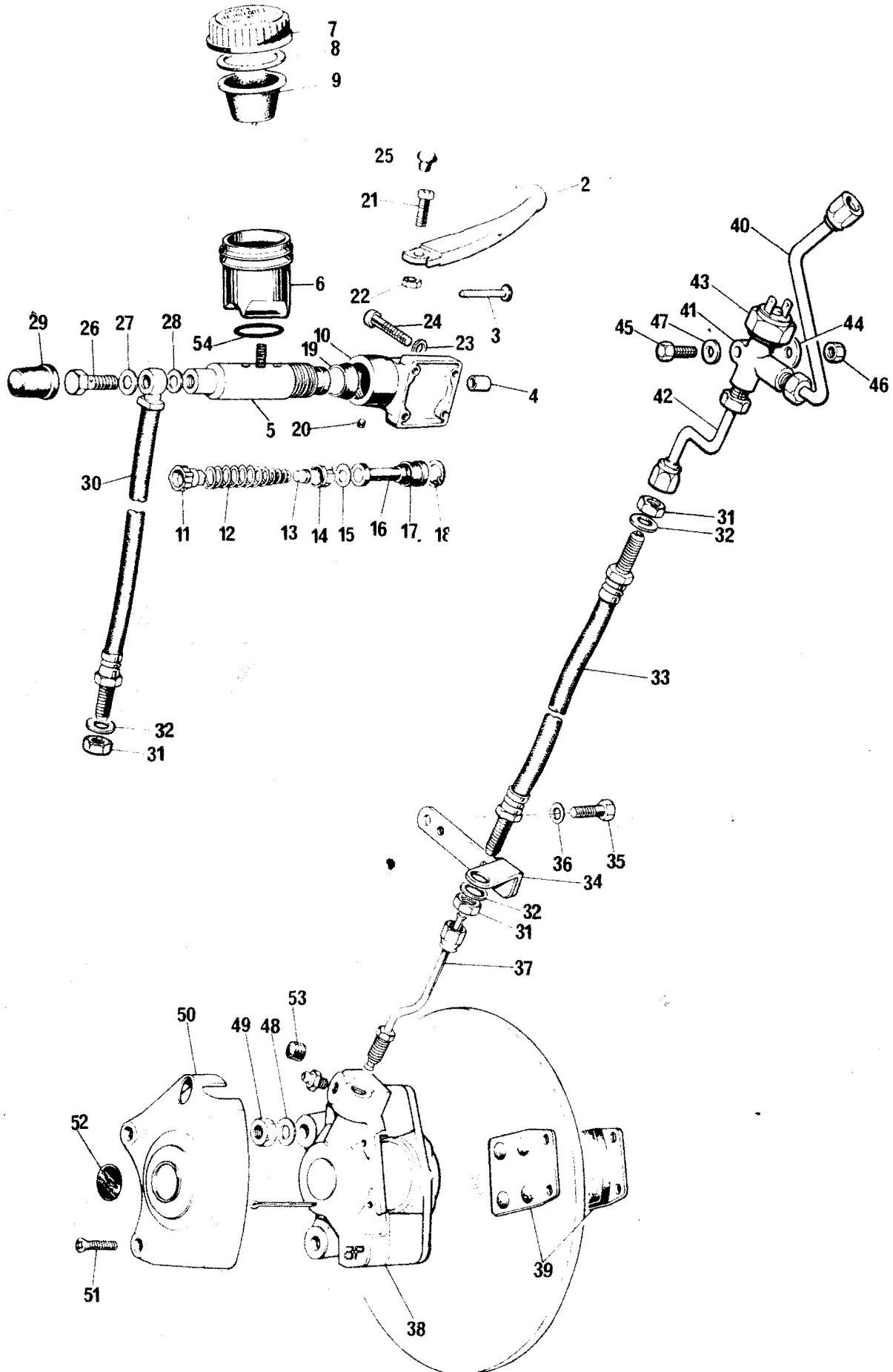
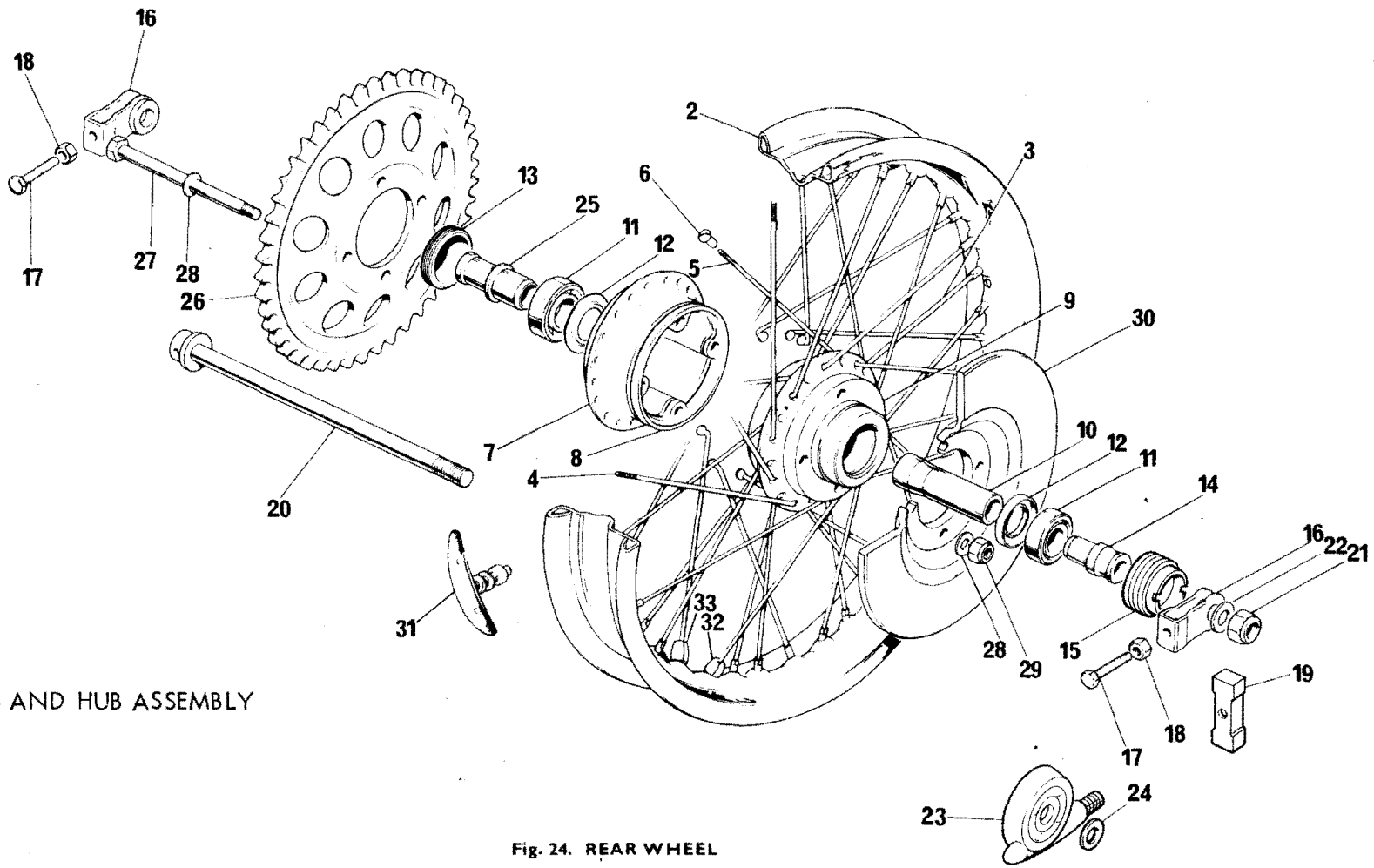


Fig. 23. FRONT BRAKE

Ref. No.	Part No.	Makers		Description	Quantity	Remarks
		Part No.				
48	60-2331	-		Washer	2	} Caliper to outer member
49	14-1303	-		Nut	2	
50	37-4263	-		Cover, caliper	1	
51	21-2196	-		screw, cover attachment	2	
52	60-4156	-		Decal, caliper cover	1	
53	60-4266	363-400		Cover, bleed nipple	1	Girling part
54	60-4374	-		"O" Ring	1	
	14-0102			Bolt reservoir to barrel	1	Not illustrated
	60-2427			Lockwasher for bolt	1	Not illustrated
	60-4399			Flatwasher for bolt	1	Not illustrated
	60-4398			Spacer reservoir to barrel	1	Not illustrated
	99-2768	SSB930		Front master cyl. seal kit	1	Not illustrated
	99-7006	KL71594		Caliper seal kit	1	Not illustrated
	70-1335			Washer brake switch	1	Not illustrated



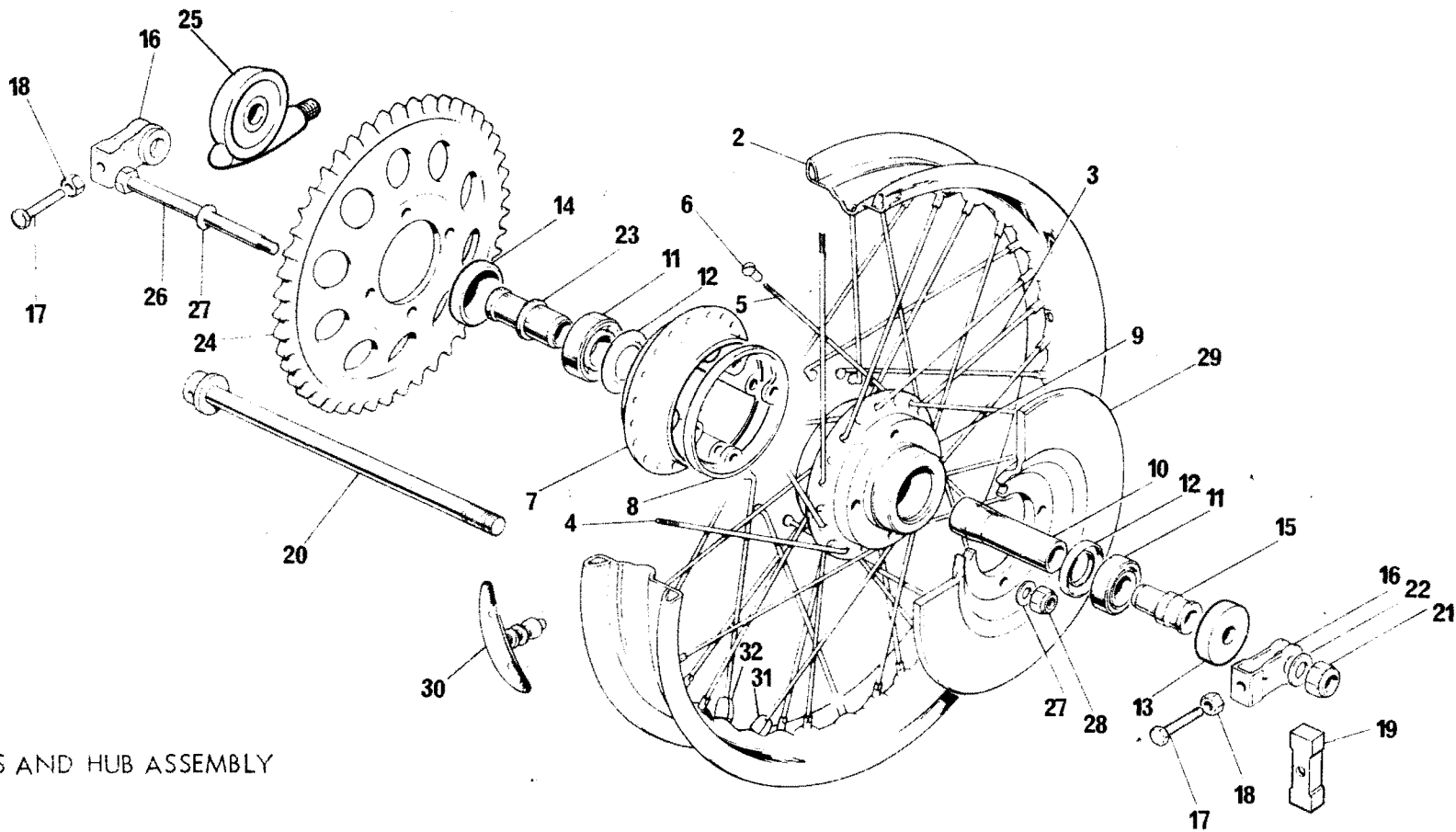
REF. 1 RIM, SPOKES AND HUB ASSEMBLY

Fig. 24. REAR WHEEL

REAR WHEEL

USE WITH SMITHS SPEEDO DRIVE BOX R/H SIDE

Ref. No.	Part No.	Description	Quantity	Remarks
1	37-7071	RIM, SPOKES AND HUB ASSY	1	
2	37-7030	Rim WM3 x 18	1	
3	37-7031	Spoke	20	
4	37-7032	Spoke	10	
5	37-7033	Spoke	10	
6	37-7034	Nipple	40	
7	37-7070	Hub - left	1	
8	37-7063	Centre spacer - hub	1	
9	37-7062	Hub - right	1	
10	37-7005	Spacer tube - bearing	1	
11	37-7041	Bearing left & right	2	
12	37-4135	Retaining washer	1	
13	37-4134	Lock ring LH	1	
14	37-7003	Spacer R/H bearing	1	
15	37-7004	Driving ring - speedo	1	
16	37-3742	Adjuster - rear chain	2	
17	14-0107	Bolt - adjuster	2	
18	14-0301	Nut - bolt	2	
19	83-3082	Cover - fork end	2	
20	37-3965	Spindle	1	
21	14-1307	Nut - spindle	1	
22	83-2266	Washer - spindle nut	1	
23	60-3213	Speedo drive gearbox	1	
24	37-7021	Washer - speedo drive spacer	1	
25	37-7006	Spacer LH bearing	1	
26	37-7064	Sprocket 47 tooth	1	
26	37-7072	Sprocket 45 tooth	As reqd	
27	21-7041	Bolt - disc/sprocket to hub	4	
28	70-8770	Washer - bolt and nut	8	
29	14-1203	Nut - bolt	4	
30	37-4275	Disc	1	
31	37-3468	Security bolt	1	
32	37-3969	Balance weight - short	As reqd	
33	37-3970	Balance weight - long	As reqd	



REF. 1 RIM, SPOKES AND HUB ASSEMBLY

Fig. 24. REAR WHEEL

REAR WHEEL

USE WITH VEGLIA SPEEDO DRIVE BOX L/H SIDE

Ref. No.	Part No.	Description	Quantity	Remarks
1	37-7061	RIM, SPOKES AND HUB ASSY	1	
2	37-7030	Rim WM3 x 18	1	
3	37-7031	Spoke	20	
4	37-7032	Spoke	10	
5	37-7033	Spoke	10	
6	37-7034	Nipple	40	
7	37-7047	Hub - left	1	
8	37-7063	Centre spacer - hub	1	
9	37-7062	Hub - right	1	
10	37-7051	Spacer tube - bearing	1	
11	37-7041	Bearing left & right	2	
12	37-4135	Retaining washer	1	
13	37-7055	Lock ring LH	1	
14	37-7054	Dust cover RH	1	
15	37-7053	Spacer R/H bearing	1	
16	37-3742	Adjuster - rear chain	2	
17	14-0107	Bolt - adjuster	2	
18	14-1301	Nut - bolt	2	
19	83-3082	Cover - fork end	2	
20	37-3965	Spindle	1	
21	14-1307	Nut - spindle	1	
22	83-2266	Washer - spindle nut	1	
23	37-7052	Spacer LH bearing	1	
24	37-7064	Sprocket 47 tooth	1	
24	37-7072	Sprocket 45 tooth	As reqd	
25	60-7091	Speedo drive gearbox	1	
26	21-7041	Bolt - disc/sprocket to hub	4	
27	70-8770	Washer - bolt and nut	8	
28	14-1203	Nut - bolt	4	
29	37-4275	Disc	1	
30	37-3468	Security bolt	1	
31	37-3969	Balance weight - short	As reqd	
32	37-3970	Balance weight - long	As reqd	

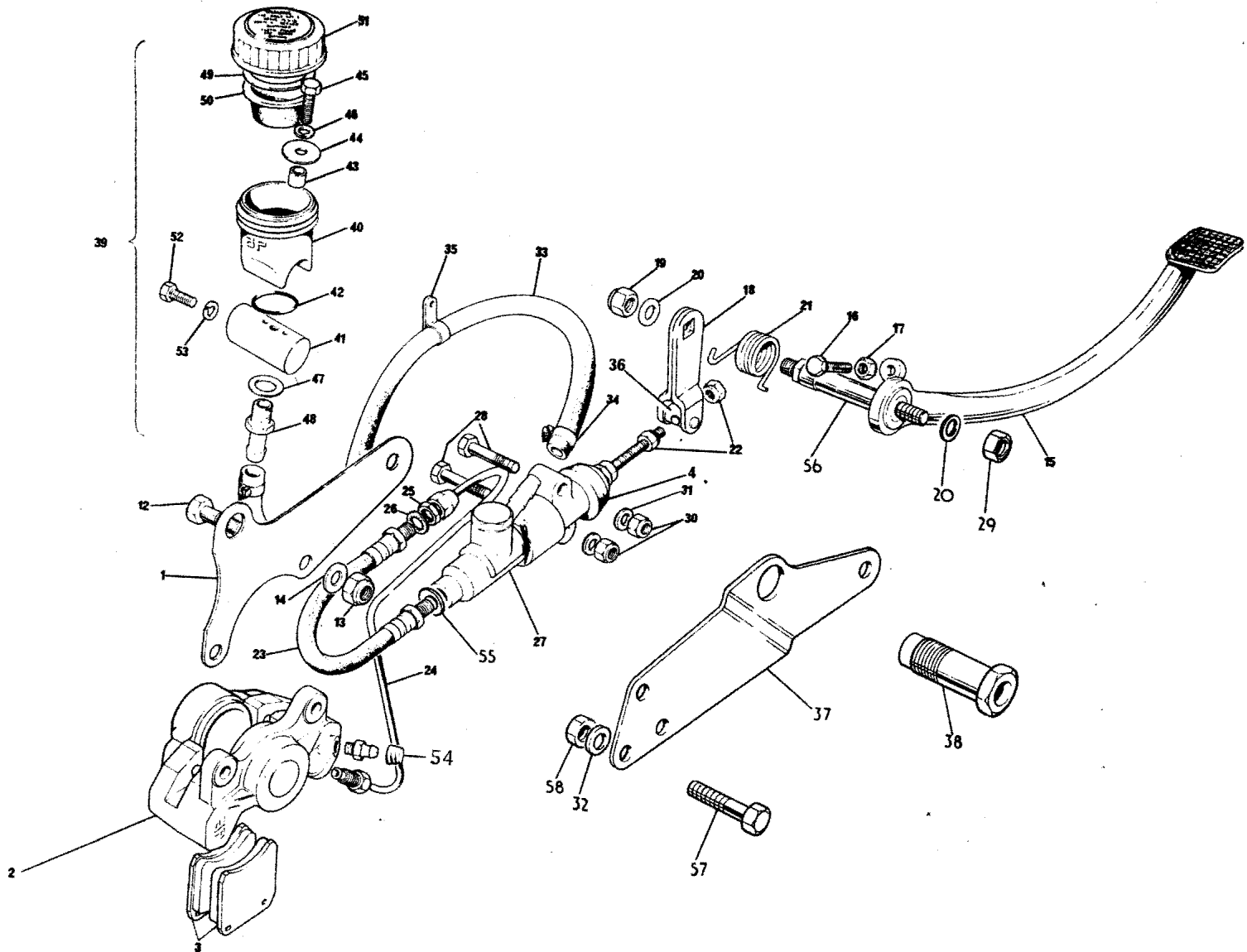


Fig. 25. REAR BRAKE

REPAIR KIT NEW # 99 70 22

REAR BRAKE

Ref. No.	Part No.	Makers Part No.	Description	Quantity	Remarks
1	37-7020	-	Rear caliper mounting plate	1	Use with SMITHS Speedo Drive
1	37-7048	-	" " " "	1	Use with VEGLIA Speedo Drive
2	60-4101	4823-432	CALIPER	1	
3	99-2769		Brake pad kit	1	
4	99-7018		Rubber boot	1	
12	14-0232	-	Bolt, caliper to mounting	2	
13	14-1203	-	Nut, caliper to mounting plate bolt	2	
14	82-2184	-	Washer, for nut	2	
15	83-7044	-	Brake pedal	1	
16	14-0103	-	Screw, adjuster - stop light	1	
17	14-0301	-	Nut, adjuster screw	1	
18	83-7003	-	Trunion lever	1	
19	14-1303	-	Nut - brake pedal spindle, inner	1	
20	60-2331	-	Washer, for nut	2	
21	83-7016	-	Return spring, brake pedal	1	
22	21-7006	-	Adjuster nut, push rod	2	5/16" UNF shouldered
23	60-7028	-	Hose, master cylinder to pipe	1	
24	60-7007	ZTA2281	Pipe, hose to caliper	1	
25	60-4180	K24103	Nut, hose to bracket	1	
26	70-2288	K19407	Serrated washer, hose to bracket	1	
27	60-4401	4211-131	MASTER CYLINDER COMPLETE	1	
28	21-7007	-	Bolt, master cylinder fixing	2	
29	14-1903	-	Nut, brake pedal spindle, outer	1	
30	14-1302	-	Nut, cylinder to frame bolt	2	5/16" UNF self locking
31	60-2330	-	Washer for nut	2	
32	60-2330	-	Washer for master cylinder fixing, rear	1	
33	60-4409	9206-2050	Hose, reservoir to master cylinder	1	
34	60-7030	-	Clip, hose	2	
35	83-7049	-	Clip, hose	1	
36	83-7024	-	Trunion	1	
37	83-7018	-	Mounting plate, master cylinder	1	
38	83-7163	-	Pivot bolt assembly	1	
39	83-5465	-	Reservoir assembly	1	
40	60-4397	3251/796	Body, reservoir	1	

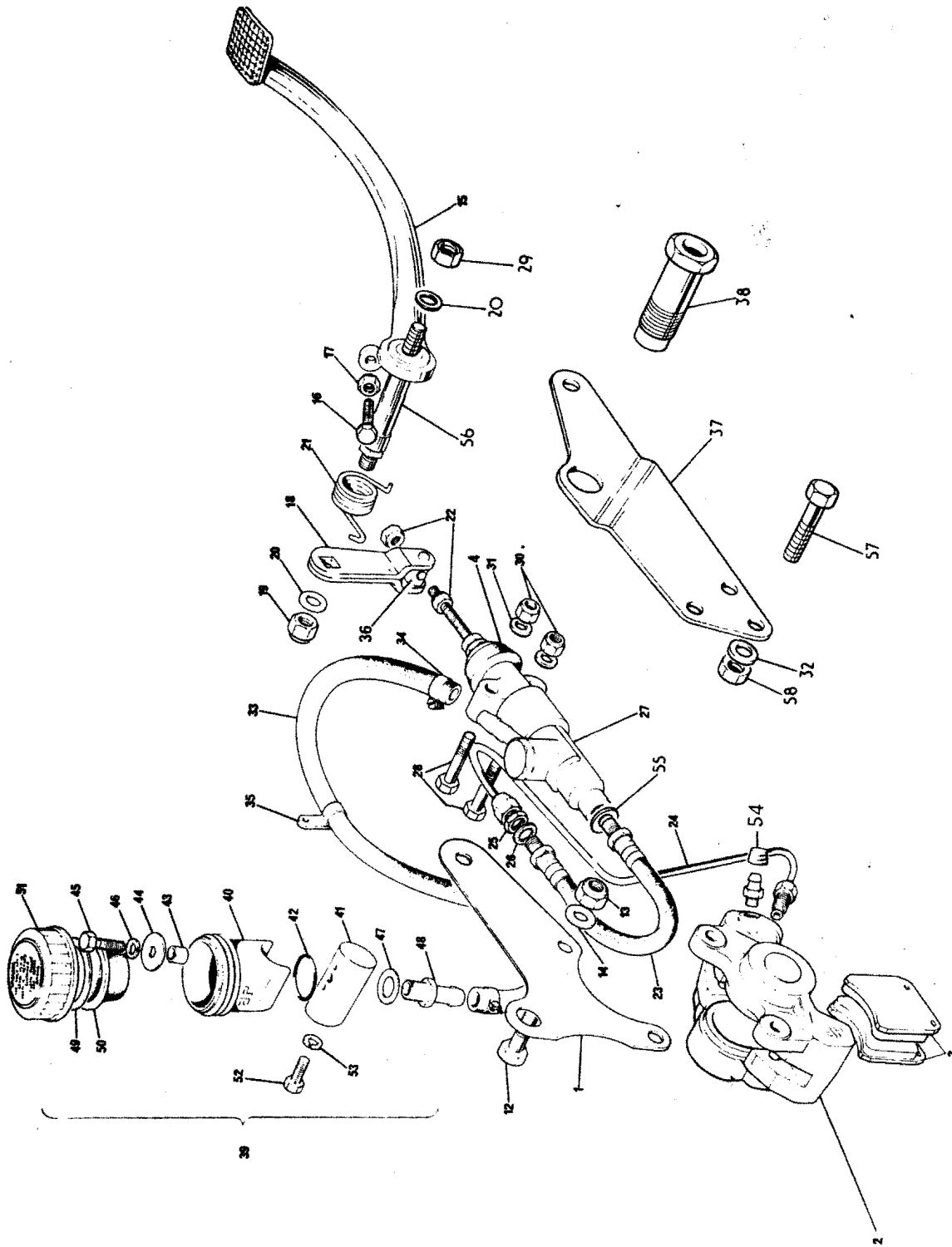


Fig. 25. REAR BRAKE

REAR BRAKE (continued).

Ref. No.	Part No.	Makers Part No.	Description	Quantity	Remarks
41	83-7056	-	Mounting, reservoir	1	
42	60-4374	3855/814	'O' ring	1	
43	60-4398	3517/221	Distance piece	1	
44	60-4399	3512/305	Washer	1	
45	14-0102	-	Bolt, body to mounting	1	1/4" UNF x 5/8" UH
46	60-2427	-	Spring washer for bolt	1	
47	60-7016	-	Sealing washer	1	
48	83-7055	-	Outlet stub, feed hose	1	
49	60-4328	-	Washer, paper	1	
50	60-4366	3818-747	Diaphragm	1	
51	60-4365	3847-240	Filler cap	1	
52	14-0101	-	Bolt, mounting to coil tray	1	1/4" UNF x 5/8" UH
53	60-2427	-	Washer, for bolt	1	
54	60-4266	363-400	Nipple cover	1	
55	60-4182	-	Copper gasket	1	
56	83-7046	-	Spindle, rear brake pedal	1	
57	14-0114	-	Bolt, master cylinder/plate fixing rear	1	
58	14-1302	-	Nut for bolt	1	
	99-2768		Rear master cyl. seal kit	1	
	99-7019		Nut, rear master cyl.	1	Not illustrated
	99-7020		Seal, rear master cyl.	1	Not illustrated
	99-7021		Saddle, rear master cyl.	1	Not illustrated
	99-2765		Piston, caliper	1	Not illustrated
	83-7015		Spacer, trunnion lever	1	Not illustrated
	83-7054		Bush, pivot	1	Not illustrated
	99-7006		Caliper seal kit	1	Not illustrated

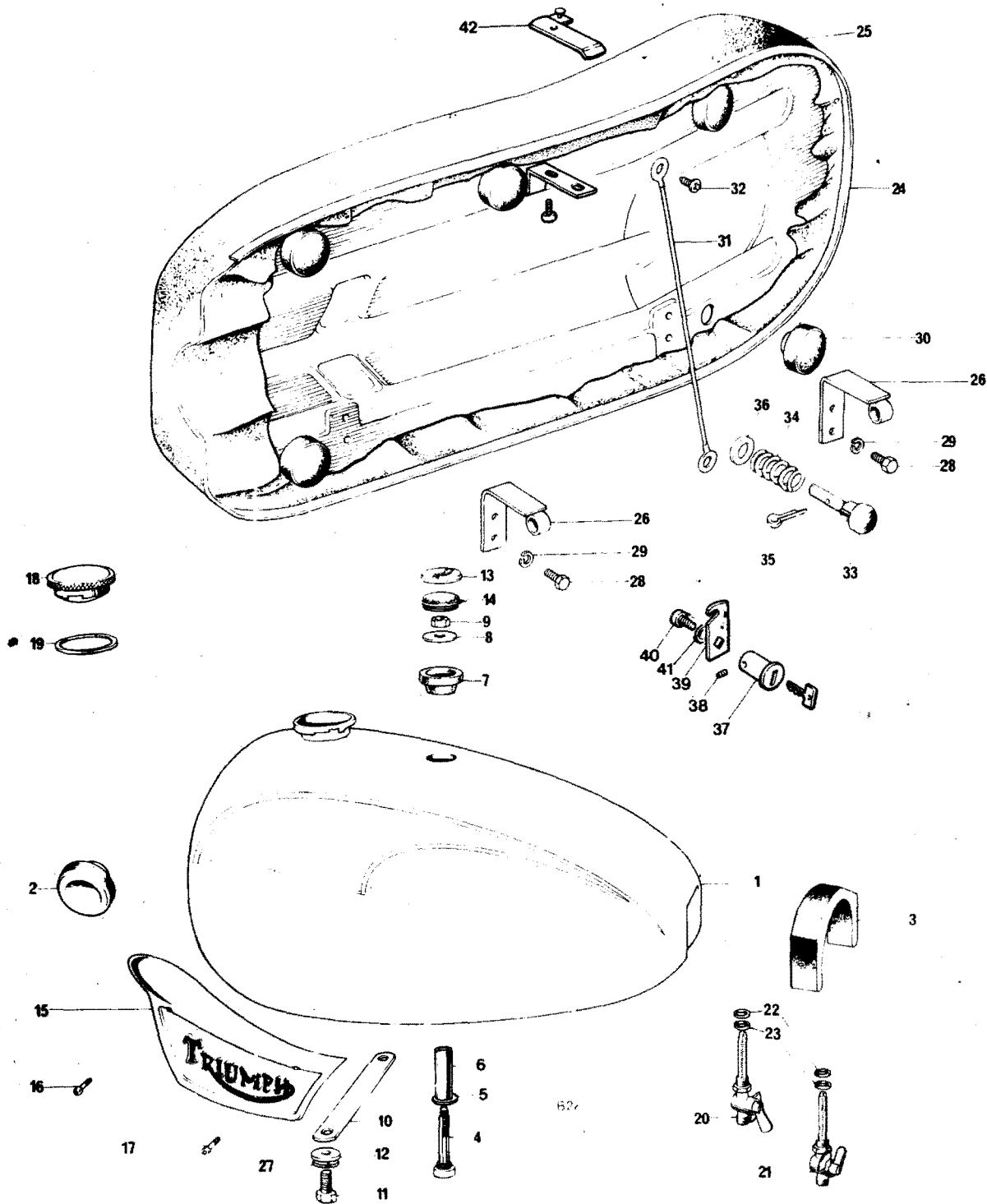


Fig. 25 GAS TANKS AND TWINSEAT

GAS TANK AND TWINSEAT

Ref No.	Part No.		Quantity	Remarks
1	83-7300	Gas Tank (3.6 US gall) Dark blue - silver flash	}	T140
1	83-7301	Gas Tank (3.6 US gall) Black - silver flash		
1	83-7302	Gas Tank (3.6 US gall) Candy apple red - black flash		
1	83-7297	Gas Tank (4.0 imp gall) Black - Candy red flash		
1	83-7298	Gas Tank (4.0 Imp gall) Beige - gold flash		
1	83-7114	Gas Tank (3.6 US gall) Candy apple red - silver flash		Optional
1	83-7299	Gas Tank (4.0 Imp gall) Dark blue - silver flash		
2	83-4931	Steady rubber	2	
3	83-4932	Mounting rubber	2	
4	83-4930	Centre fixing bolt	1	
5	60-2320	Washer	1	
6	82-9063	Distance tube	1	
7	83-4934	Mounting rubber	1	
8	83-3814	Washer	1	
9	14-0302	Nut	1	
10	83-4395	Tie strap	1	
10A	83-4118	Tie strap	1 (use with 4 gall tank)	
11	14-0113	Bolt	2	
12	60-2321	Washer	2	
13	83-4776	Badge - tank grommet	1	
14	97-5061	Grommet	1	
15	83-7372	Tank motif - right	1	
15	83-7371	Tank motif - left	1	
15A	60-7210	Tank Motif	2 (use with 4 gall tank)	
16	83-1339	Screw - front - tank motif	2	
17	82-7888	Screw - rear - tank motif	2	
17A	21-2064	Screw	4 (use with 4 gall tank)	
18	83-3875	Filter cap	1	
19	82-4048	Joint washer	1	
20	60-4511	Gas tap - main	1	
21	60-4512	Gas tap - reserve	1	
22	70-7351	Tap seal	2	
23	83-0002	Washer	2	
24	83-7271	Twinseat assy (Black)	1 (use with 3.6 gall tank)	
24	83-7272	Twinseat assy (Black)	1 (use with 4 gall tank)	
24	83-7278	Twinseat assy (Brown) use with beige tank	1 (use with 4 gall tank)	
24A	83-7332	Touring seat	1 (optional)	
25	83-7131	Cover twinseat (Black)	1 (use with 3.6 gall tank)	
25	83-7132	Cover twinseat (Black)	1 (use with 4 gall tank)	
25	83-7134	Cover twinseat (Brown)	1 (use with 4 gall tank)	
26	83-4782	Hinge - front and rear	2	
27	60-2428	Spring washer	2	
28	14-0101	Bolt	4	
29	60-2417	Washer	4	Hing attachment
30	82-9093	Rubber buffer	4	
31	60-2087	Check wire	1	
32	60-2381	Screw - self tapping	1	
33	82-7560	Seat plunger and knob	1	
34	82-4228	Spring	1	
35	60-2720	Split pin (3/32 in. x 1/2 in.)	1	
36	83-7270	Washer	1	
37	60-7215	Twinseat lock assy c/w keys	1	
38	21-0578	Grub screw - twinseat lock	1	
39	83-7328	Catch plate - lock	1	
40	97-3894	Catch plate - fixing screw	1	
41	97-1388	Catch plate - fixing screw washer	1	
42	83-7329	Catch plate assy - seat	1	

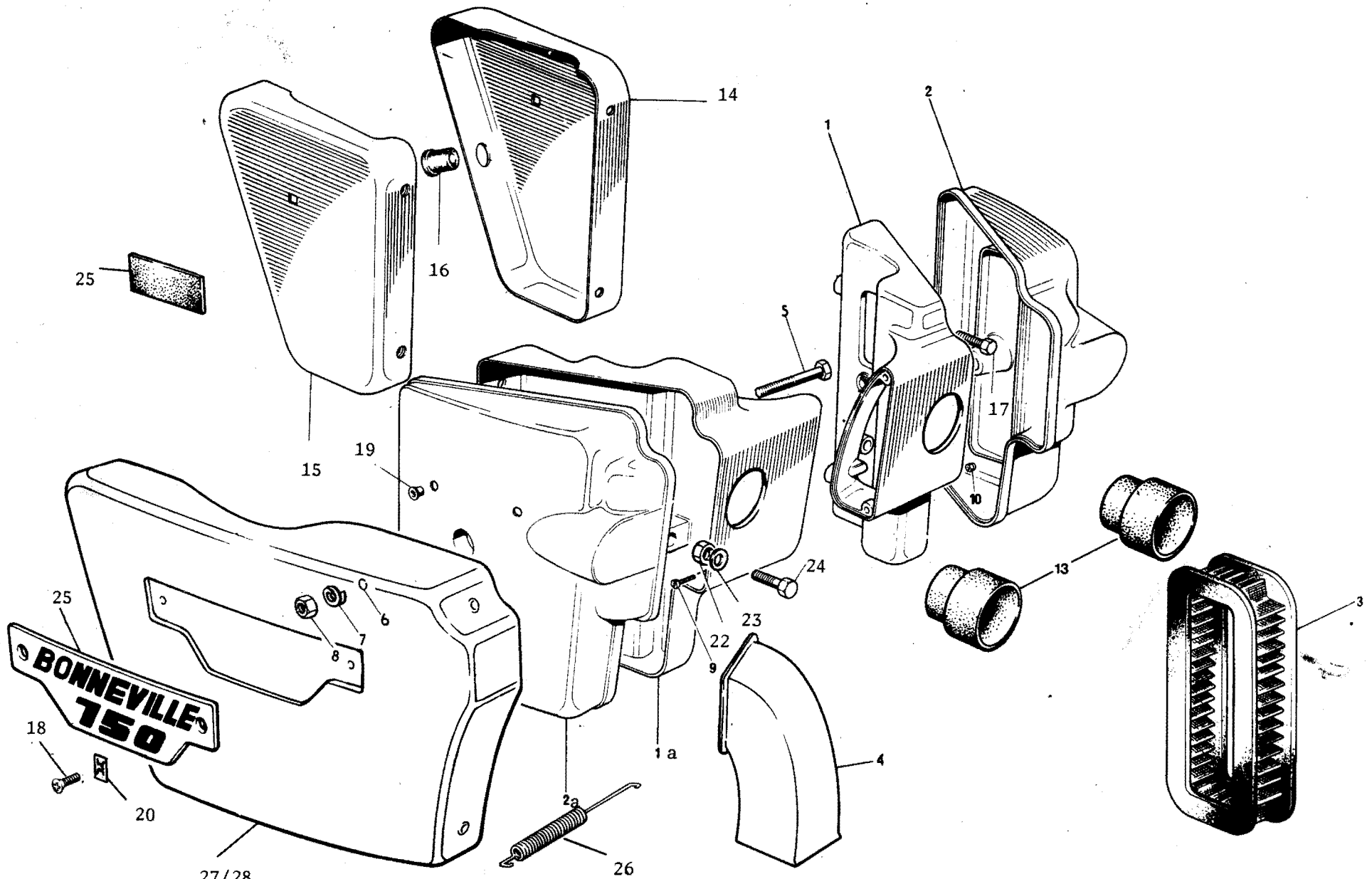


Fig. 26 AIR CLEANERS AND SIDE PANELS

AIR CLEANER AND SIDE PANELS

Ref. No.	Part No.	Description	Quantity	Remarks
1	83-7162	Body - left	1	Twin Carb
1A	83-7141	Body - right	1	
2	83-7204	Cover - left	1	T140
2A	83-7205	Cover - right	1	
3	60-4265	Element	2	All models
4	83-5448	Air intake tube, left	1	
4	83-5449	Air intake tube, right	1	
5	14-0221	Bolt	2	
6	82-8245	Retainer	2	
7	60-2438	Washer	2	
8	14-0302	Nut	2	
9	60-3539	Screw	2	
10	21-0501	Nut left assy to right assy	2	
13	71-7166	Connector pipe Carb to air box	2	
14	83-7246	Side panel - left	1	
15	83-7247	Side panel - right	1	
16	82-6673	Panel grommet	2	
17	14-0102	Bolt	4	
18	83-7252	Name plate - use with Dk blue panels	2	T140
18	83-7316	Name plate - use with Black panel & red panel	2	T140
18	83-7317	Name plate - use with Beige panel	2	T140
19	60-4153	Rubber bush	4	
20	21-7020	Spire Nut	4	
21	82-4129	Screw	4	
22	14-1302	Nut	2	
23	60-2321	Plain washer	2	
24	14-0218	Bolt	2	
25	82-7380	Rubber pad - under styling panel	2	
26	83-7070	Spring - styling panel fixing	2	
27	- 83-7303	Styling side panel L. H. Dark Blue	1	T140
28	- 83-7304	" " " R. H. Dark Blue	1	T140
27	83-7305	" " " L. H. Black	1	T140
28	83-7306	" " " R. H. Black	1	T140
27	83-7307	" " " L. H. Candy-apple red	1	T140
28	83-7308	" " " R. H. Candy-apple red	1	T140
27	83-7309	" " " L. H. Beige	1	T140
28	83-7310	" " " R. H. Beige	1	T140

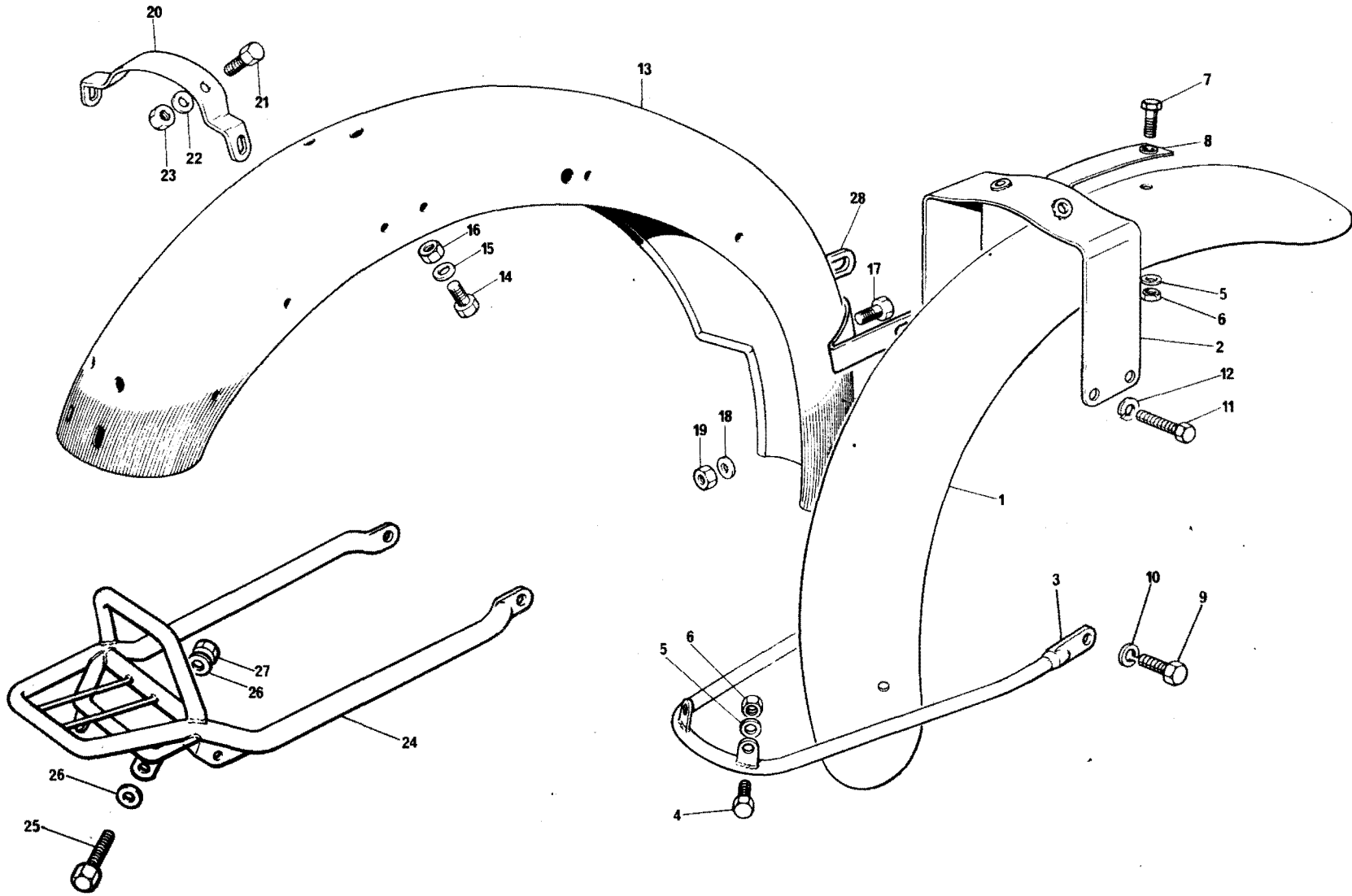
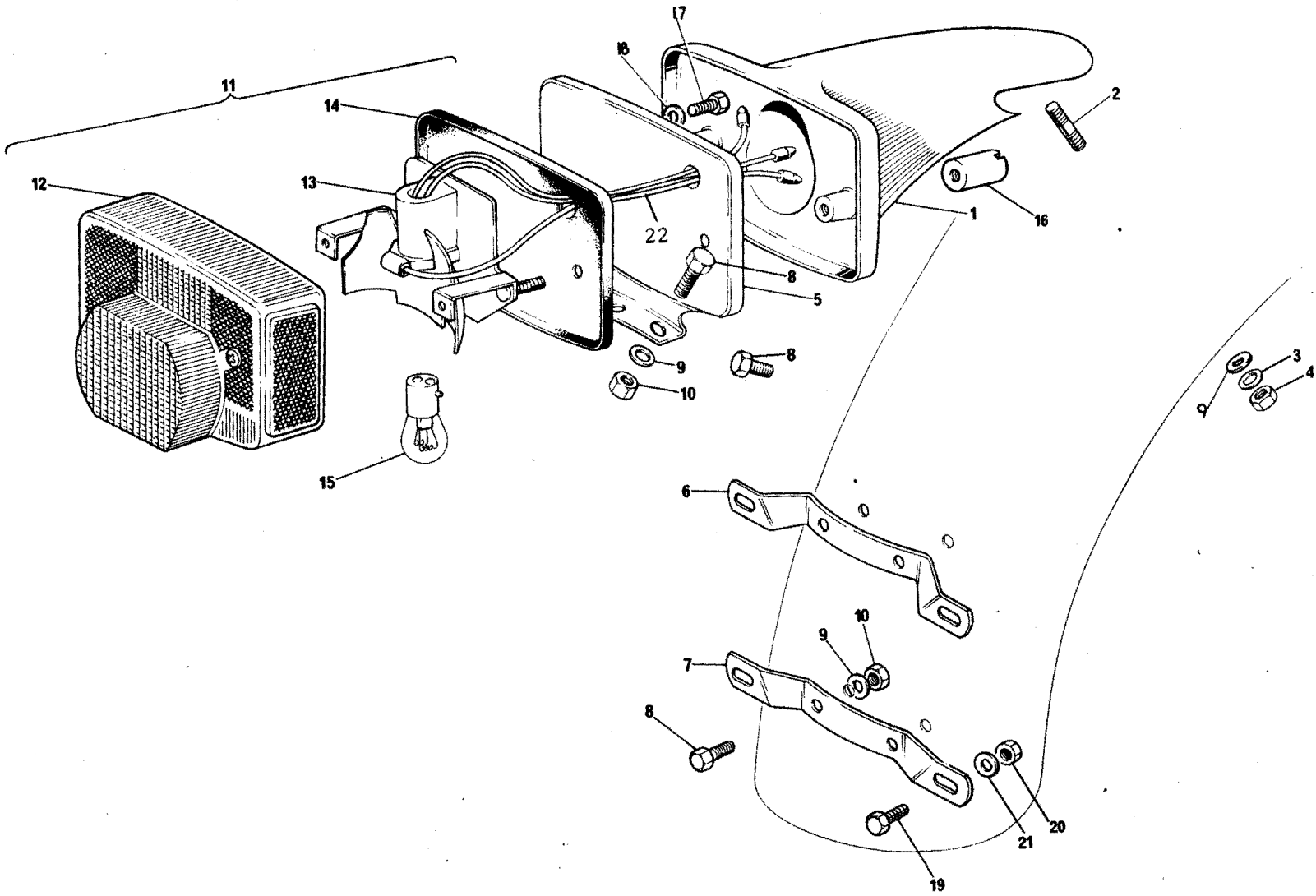


Fig. 27. FENDERS AND TAIL LAMP

FENDERS

Ref. No.	Part No.	Description	Quantity	Remarks
1	97-7039	Front fender chrome	1	
2	97-7004	Bridge piece assembly	1	
3	97-4552	Rear stay	1	
4	14-0101	Bolt, rear stay to blade	2	
5	60-4245	Washer	5	
6	14-1201	Nut	5	
7	14-2205	Screw, bridge piece to blade	3	
8	21-7025	Washer nylon	8	
9	14-6114	Bolt, stay to spindle cap	2	
10	60-2428	Washer	2	
11	14-0103	Bolt, bridge piece to fork leg	2	
12	60-2427	Washer	2	
13	83-7261	Rear fender chrome	1	T140
14	14-0101	Bolt	2	
15	60-2329	Washer	2	
16	14-1301	Nut	2	
17	14-0114	Bolt	2	
18	60-2330	Washer	2	
19	14-1302	Nut	2	
20	83-4600	Bridge - rear fender	1	
21	14-0102	Bolt	2	
22	60-2329	Washer	2	
23	14-1301	Nut	2	
24	83-7284	Grab rail	1	
25	14-0102	Bolt	2	
26	60-2329	Washer	2	
27	14-1301	Nut	2	
28	83-2796	Lower front bracket	1	
Not illust	60-7206	Label - Grab rail rack	1	



C 50

Fig. 28. TAIL LAMP AND SUPPORT

TAIL LAMP AND SUPPORT

Ref. No.	Part No.	Makers Part No.	Description	Quantity	Remarks
1	83-7094	-	Tail lamp carrier	1	
2	21-2225	-	Stud	1	} Tail lamp support to fender
3	60-4250	-	Washer	1	
4	14-0301	-	Nut	1	
5	83-5001	-	Support plate	1	
6	83-4784	-	Rear No. plate bracket - top	1	
7	82-6850	-	Rear No. plate bracket - bottom	1	
8	14-0102	-	Bolt	4	} No. plate brackets and support plate to fender
9	60-2329	-	Washer	5	
10	14-1301	-	Nut	4	
11	99-7045	56513	Stop tail lamp assembly	1	c/w side reflex
12	99-7046	54584930	Lens	1	c/w side reflex
13	99-7065	54584931	Base assembly	1	
14	99-7066	54583924	Gasket	1	
15	99-0542	380	Bulb	1	
16	83-4800	-	Sleeve nut, lamp to back plate	2	
17	14-7804	-	Screw support plate to carrier	1	
18	70-1612	-	Serrated washer	1	
	83-4806	-	Wiring protector	1	} Not illustrated
	60-4103	-	Grommet, flasher wire	1	
	83-5105	-	'U' grommet, lamp carrier	2	
	97-0961	-	Grommet, mudguard for wiring	2	
	60-4440	-	Grommet, flasher wires	2	
19	14-0101	-	Bolt - number plate attachment	4	
20	14-1301	-	Nut	4	
21	60-2329	-	Washer	4	
22	99-7067	573828	Bulb holder	1	

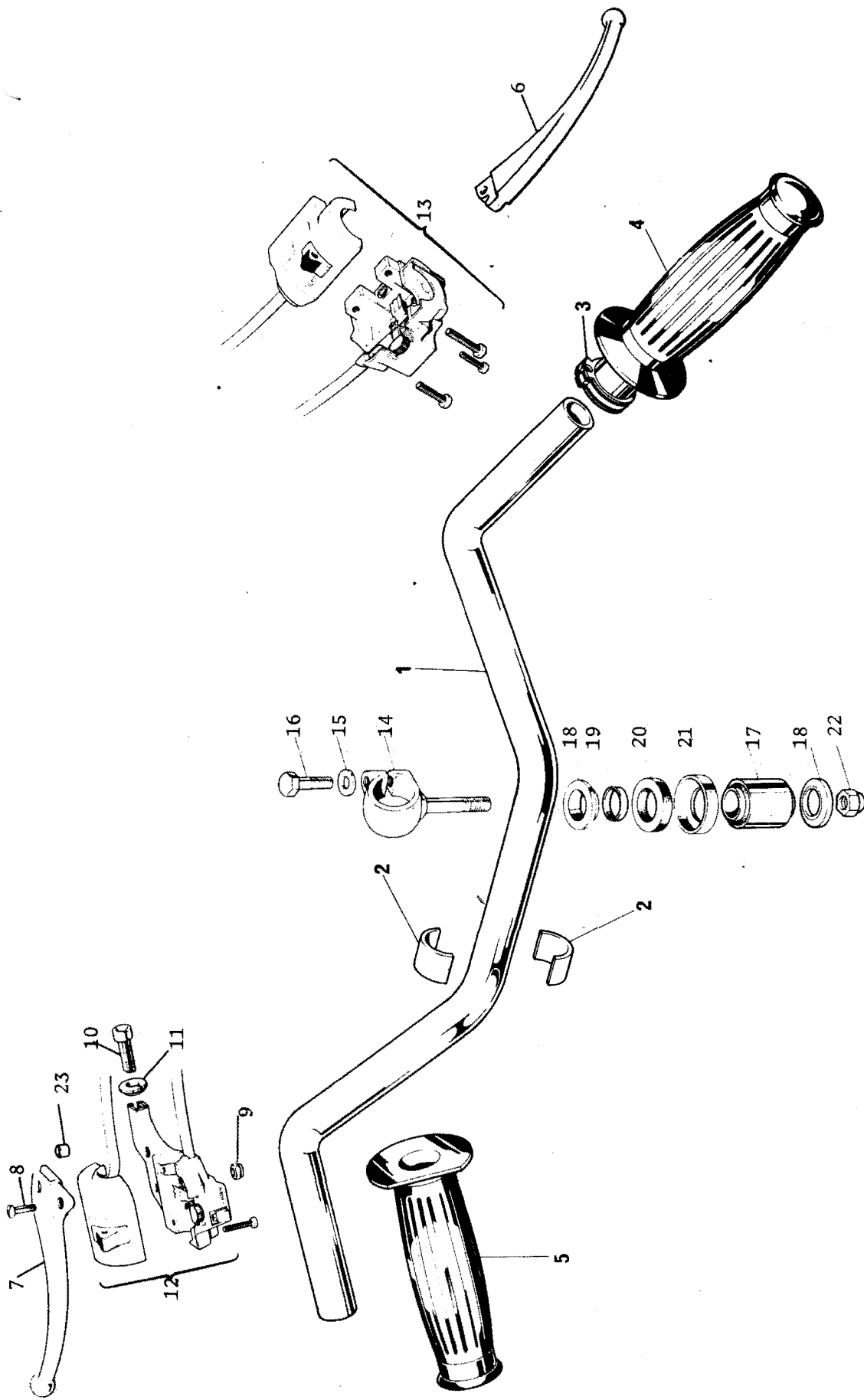


Fig. 29. HANDLEBAR AND CONTROL LEVERS

HANDLEBARS AND CONTROL LEVERS

Ref. No.	Part No.	Makers Part No.	Description	Quantity	Remarks
1	97-7040	-	Handlebar	1	USA specification
1	97-7041	-	Handlebar	1	UK and General
2	97-1425	-	Sleeve, handlebar mounting	4	
3	60-7144		TWIST GRIP C/W GRIP	1	
4	97-2125	-	Grip, right hand	1	
5	97-2142	-	Grip, left hand	1	
6	97-5074	-	front brake lever blade	1	
7	97-7035	-	Clutch lever blade	1	
8	21-7036	-	Pivot pin	1	
9	14-1901	-	Nut, pivot pin	1	
10	60-3585	-	Adjuster	1	
11	60-3586	-	Lockring	1	
12	99-7047	33708	Handlebar switch, left hand	1	
13	99-7048	33/09	Handlebar switch, right hand	1	
14	97-2291	-	Handlebar eyebolt	2	
15	82-1335	-	Washer	2	
16	21-0589	-	Bolt	2	
17	97-1527	-	Metalastik bush	2	
18	97-1529	-	Hemispherical washer	4	
19	97-1581	-	Distance piece	2	
20	97-1580	-	Rubber washer	2	
21	97-2221	-	Cup	2	
22	14-1303	-	Nut	2	
23	97-7053	-	Pivot bush- clutch lever	1	

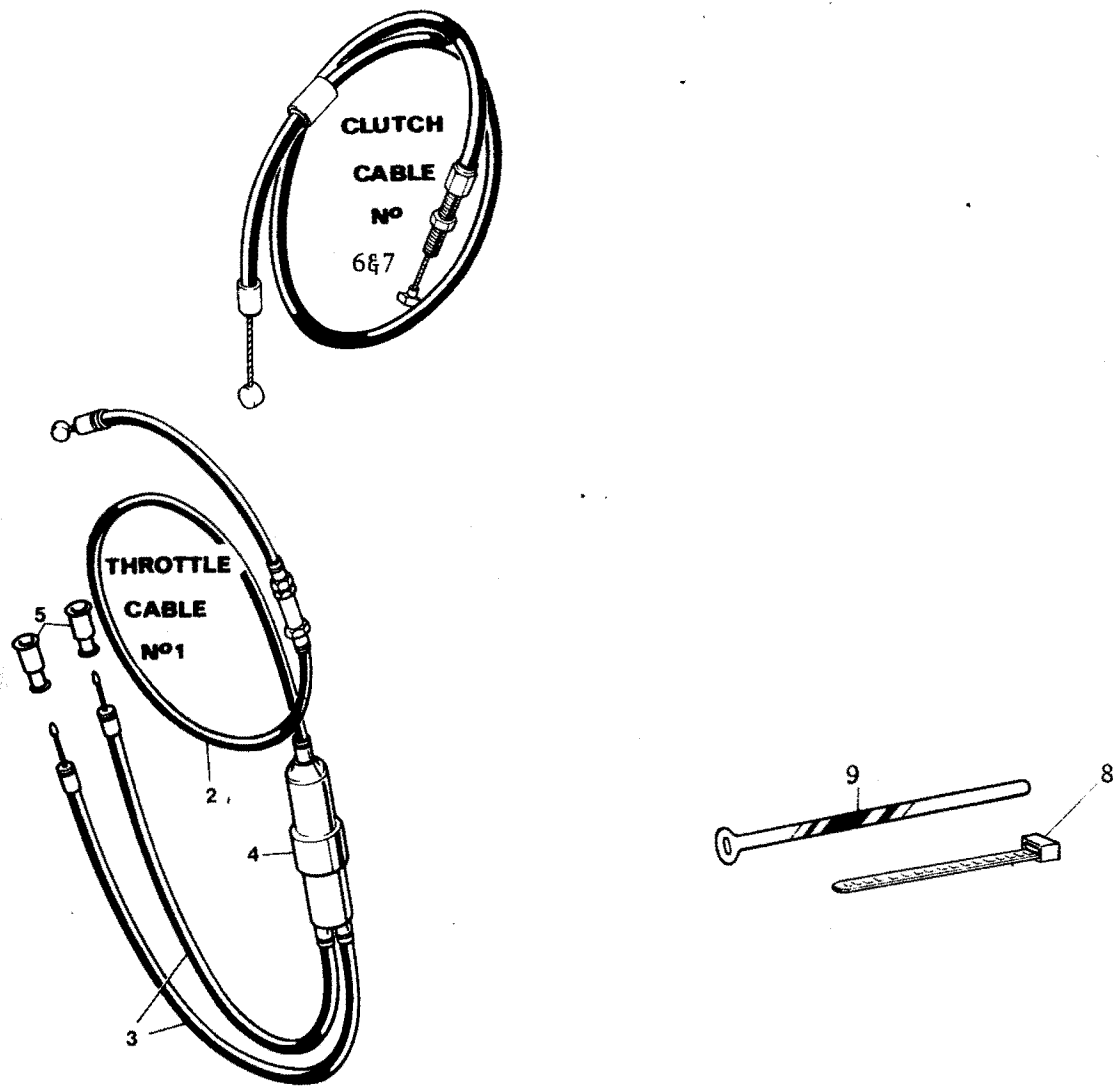


Fig. 30. CONTROL CABLES

CONTROL CABLES

Ref. No.	Part No.	Description	Quantity	Remarks
1	60-7151	Throttle cable cte	1	T140 High bar
2	60-7149	Throttle cable T/Grip to junct block	1	T140 High bar
3	60-7084	Throttle cable Junct block to carb	2	T140 High bar
1	60-7145	Throttle cable cte	1	T140 Low bar
2	60-7150	Throttle cable T/Grip to junct block	1	T140 Low bar
3	60-7084	Throttle cable Junct block to carb	2	T140 Low bar
4	60-0685	Throttle cable Junction block	1	T140
5	60-7118	Sheath - Throttle cable adjstr	2	T140
6	60-3925	Clutch cable	1	T140- High bar
7	60-4168	Clutch cable	1	T140 Low bar
8	60-7202	Cable clip (plastic)	21	
9	60-4254	Cable clip (aluminum)	8	

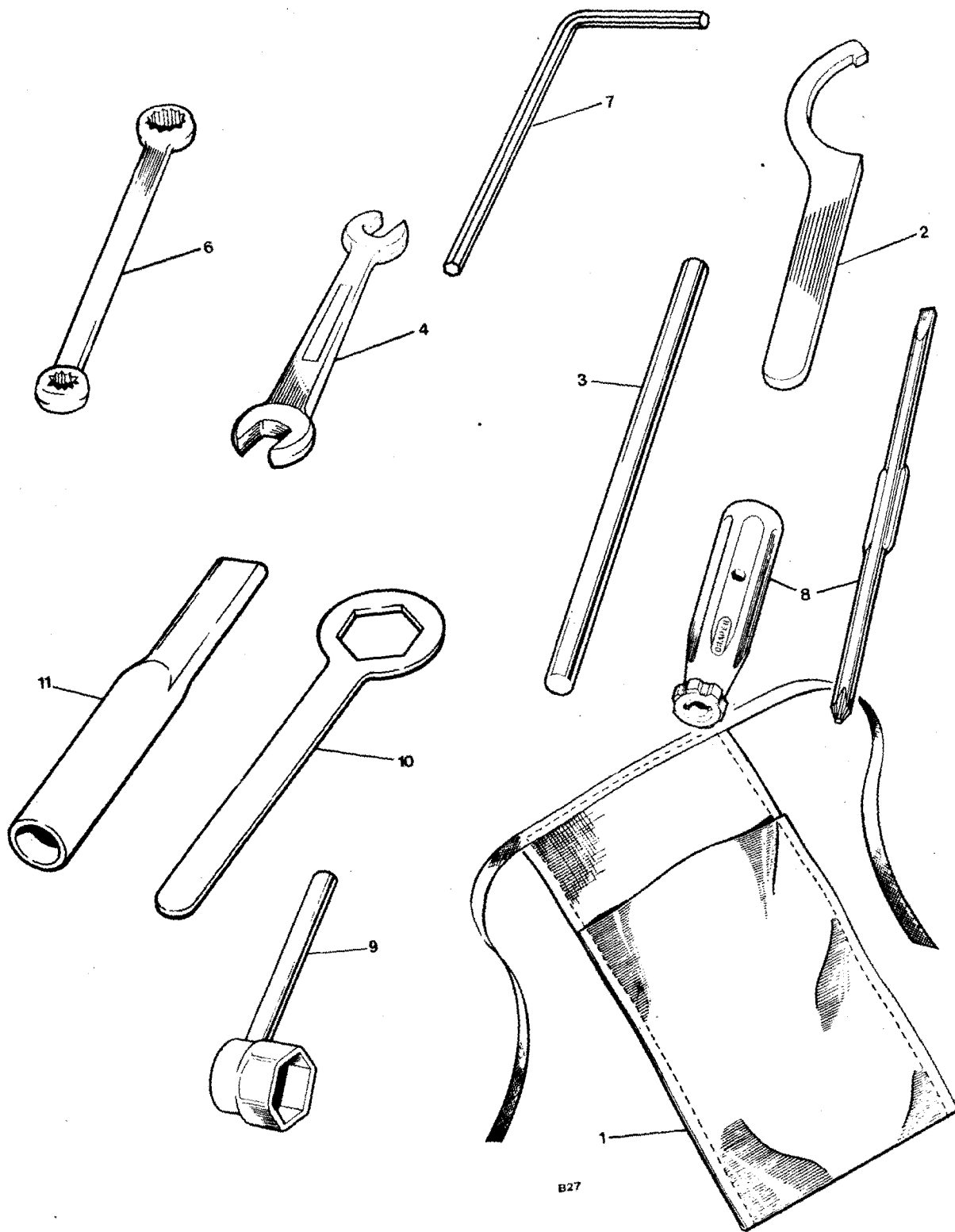


Fig. 31. TOOLKIT

TOOLKIT

Ref. No.	Part No.	Description	Quantity	Remarks
	60-7166	TOOLKIT ASSEMBLY	1	
1	60-0291	Tool roll	1	
2	60-2184	Damper unit spanner	1	
3	60-7041	Tommy bar, for rear wheel	1	
4	60-2084	Spanner - open ended	1	
6	60-1907	Ring spanner	1	
7	60-7167	Key for hex socket screw	1	
8	60-0767	Screw driver	1	
9	60-1050	Plug spanner	1	
10	60-7068	Rear wheel spanner	1	
11	60-7069	Lever for spanner	1	
	60-0974	Tire valve key (optional)	1	Not illustrated

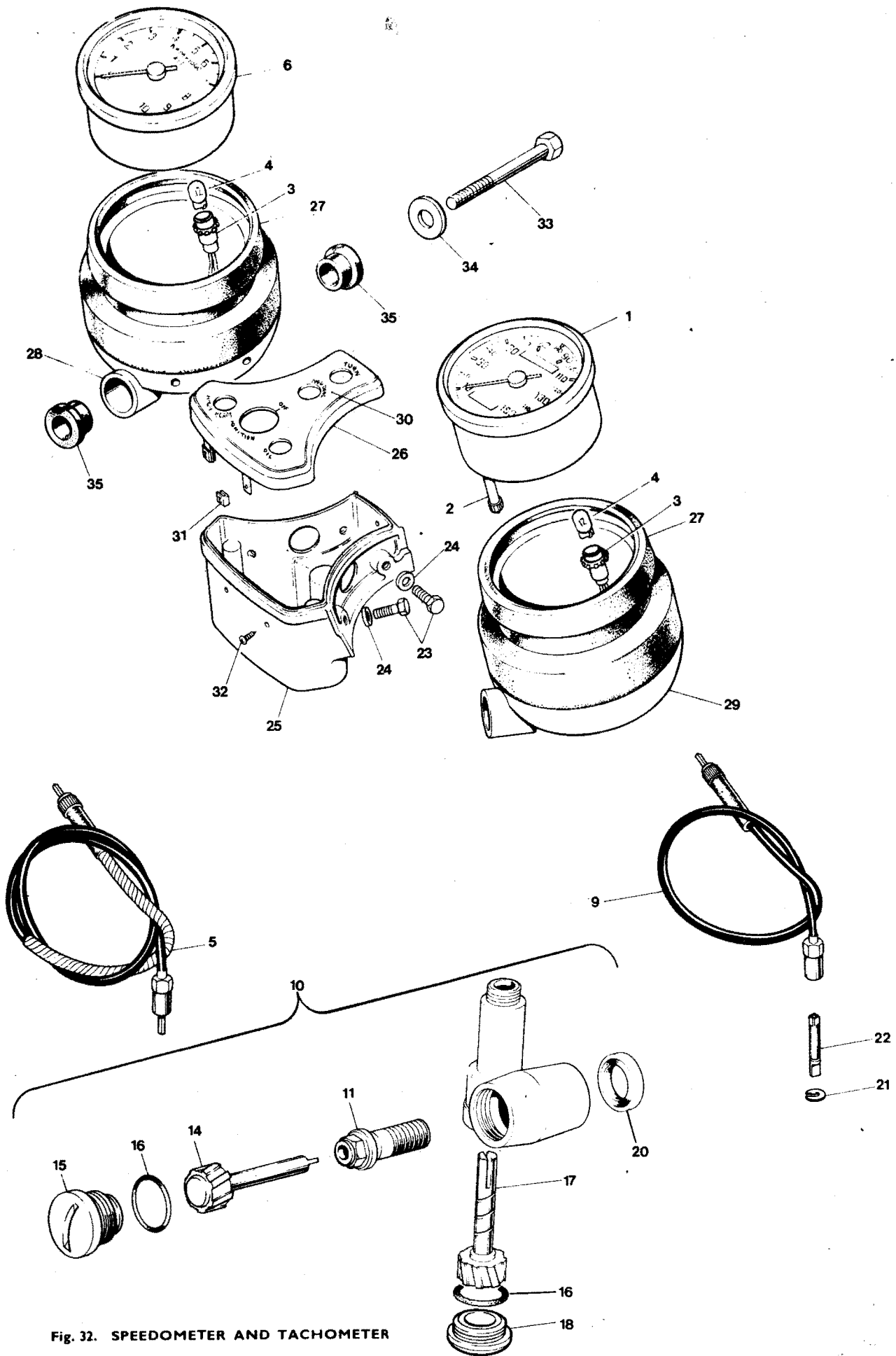


Fig. 32. SPEEDOMETER AND TACHOMETER

SPEEDOMETER AND TACHOMETER

Ref. No.	Part No.	Makers Part No.	Description	Quantity	Remarks
1	99-7099	0919/092/9901	Speedometer head MPH Veglia	1	
1	60-7169	SSM4003/02	Speedometer head MPH 150 - SMITHS	1	
2	60-7207	41-118-126-54	Trip control	1	
3	99-7049	51271406	Bulb holder	1	
4	99-7050	504	Bult	1	
5	60-3376	DF9110/00	Speedo cable assy	1	
6	60-7171	RSM3003/23	Tachometer head - Smiths	1	
6	99-7101	0920/092/9900	Tachometer head - Veglia	1	
9	60-0578	DF9171/00	Tachometer cable	1	
10	71-4136		TACHOMETER GEARBOX	1	
11	70-9332		Securing screw assy	1	Reference only not supplied separately Part of 70-9332.
12	70-5156		Bush	1	
13	70-5155		Flanged bush	1	
14	70-5157		Driving gear	1	
15	71-2480		End plug - driving spindle	1	
16	60-3355		'O' ring	2	
17	71-2653		Driven gear	1	
18	71-7143		End plug	1	
20	70-7351		Sealing washer	1	
21	60-0494		Circlip	1	
22	99-0173	31-371-398	Spade	1	
23	14-6104		Bolt	4) carrier to s/w box
24	60-2427		Spring washer	4	
25	97-4577		Switch box	1	
26	97-5000		Panel assy - Includes line 30	1	
27	97-4573		Rubber cup	2	
28	97-4574		Instrument carrier LH	1	
29	97-4575		Instrument carrier RH	1	
30	60-4622		Identification sheet	1	
31	60-4503		Spire nut	3	
32	21-0762		Screw - panel to s/w box	3	
33	14-0235		Bolt	2	
34	60-2340		Plain washer	2	
35	97-4588		Rubber bush	4	

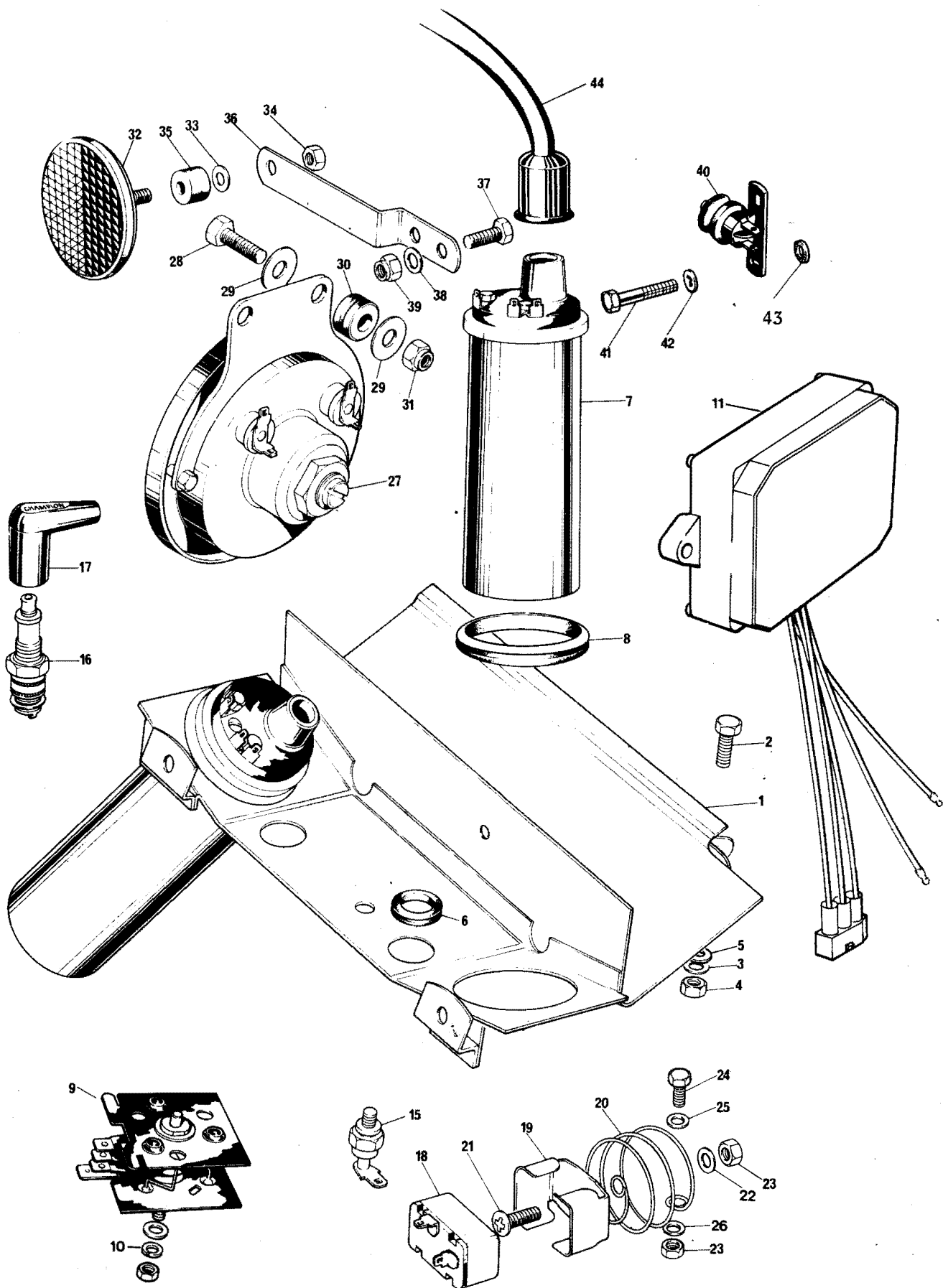


Fig. 33. COIL, CAPACITOR PACK, FLASHER UNIT, ZENER DIODE AND HORN

ELECTRICAL COMPONENTS

Ref. No.	Part No.	Makers Part No.	Description	Quantity	Remarks
1	83-7041	-	Coil and tool tray assembly	1	
2	14-0102	-	Bolt	1	} Coil and tool tray attachment, rear.
3	60-2329	-	Washer	2	
4	14-1301	-	Nut	1	
5	70-7554	-	Rubber washer	1	
6	82-6784	-	Grommet, wiring harness	2	
7	60-7131	45275	Ignition coil (17-M-6)	2	
8	82-9561	-	Coil grommet	2	
9	99-7051	83539	Rectifier complete with nut	1	negative earth
10	70-3887	-	Shakeproof washer	1	
11	60-7130	48022	Amplifier unit	1	
15	60-7156	49589	Zener diode not interchangeable with pre 1979 models	1	Negative earth
16	60-0911	N3	Sparking plug	2	
17	60-0262	WC200	Plug cover	2	USA - non screened
18	99-1201	35048	Flasher unit	1	
19	99-1204	54385091	Clip, flasher unit	1	
20	60-3614	54386637	Spring	1	} Flasher unit attachment
21	21-2079	-	Screw	1	
22	60-2391	-	Washer	1	
23	21-7009	-	Nut	2	
25	97-1388	-	Plain washer	1	
26	60-2416	-	Washer	2	
27	60-7067	70276	Horn	1	} Horn attachment
28	14-0103	-	Bolt	2	
29	60-2347	-	Washer	4	
30	60-3161	-	Grommet	2	
31	14-1301	-	Nut	2	} Reflector Mounting
32	99-1161	57183	Reflector - amber	2	
33	60-2416	-	Washer	2	
34	82-3799	-	Nut	2	
35	83-3522	-	Mounting Rubber	2	} Use with 4 Gall tank
36	83-3764	-	Reflector bracket	2	
37	21-2120	-	Bolt	2	} Bracket to frame
38	60-2391	-	Washer	2	
39	21-0778	-	Nut	2	
40	99-1028	34815A	Rear stop light switch 118SA	1	
41	21-7010	-	Screw, rear stop switch	2	
42	97-1388	-	Plain washer	4	
43	83-7060	-	Rubber washer	1	
44	60-3923		H.T. Cable		
	14-0103		Screw - amplifier fixing	2	Not illustrated
	13-1301		Nut - amplifier fixing	2	Not illustrated
	70-4144		Grommet (for spark plug cover)	2	Not illustrated
	60-7180	30702	Neutral indicator switch	1	Not illustrated

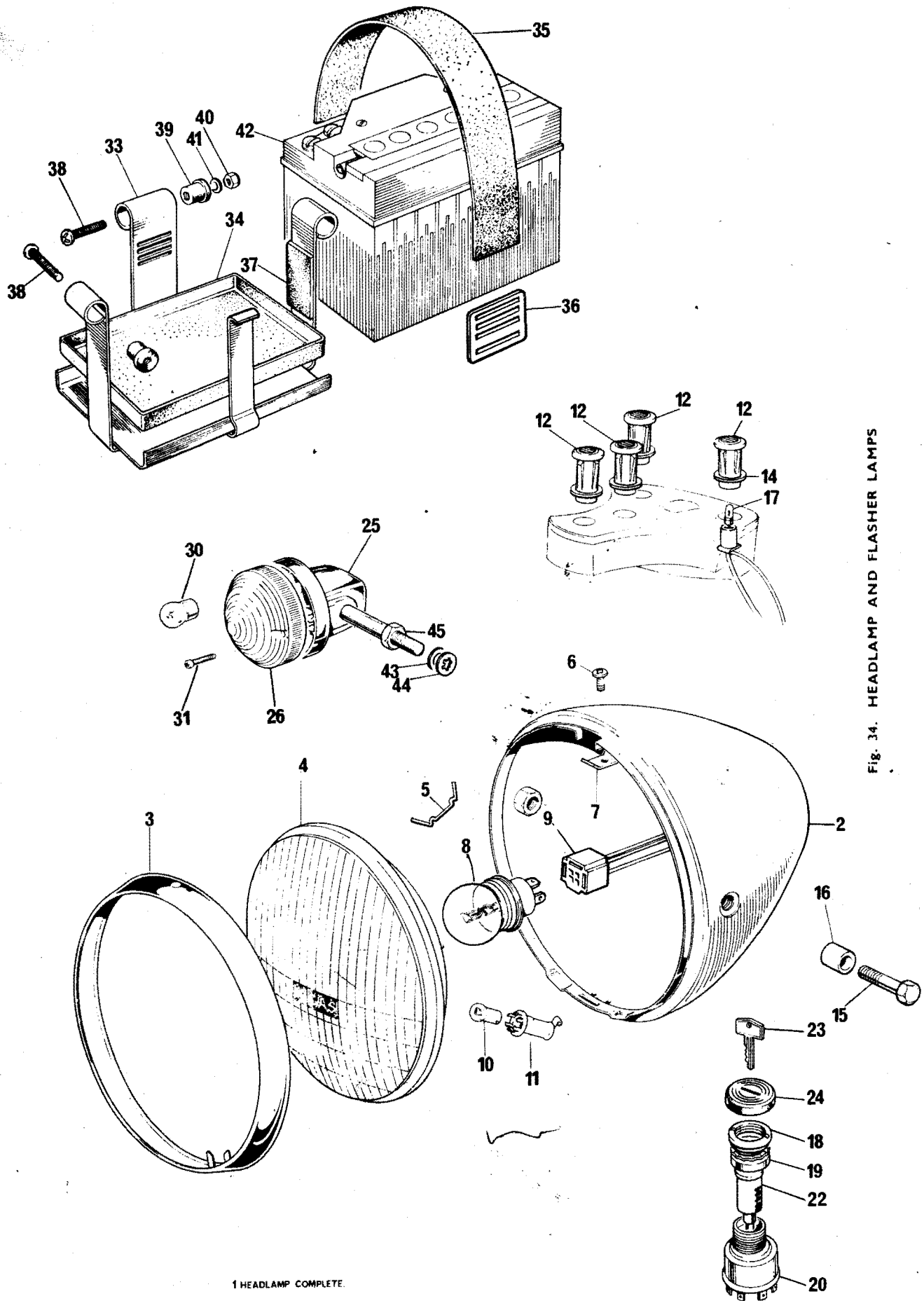


Fig. 34. HEADLAMP AND FLASHER LAMPS

HEADLAMP AND FLASHER LAMPS

Ref. No.	Part No.	Makers Part No.	Description	Quantity	Remarks
1	99-7053	61387	Headlamp cte RH Dip	1	right hand dip
2	99-7098		Headlamp shell only	1	
3	99-7062 99-0692	553248	Headlamp rim	1	
4	99-7060	54522680	Light unit	1	Right hand dip
5	99-0683	504665	Fixing wire	6	
6	99-1189	144921	Screw	1	
7	99-0690	534296	Plate	1	
8	06-8019	410	Main bulb 45/40w	1	
9	99-7062	54950493	Adaptor RH Dip <i>NEW # 99-7061</i>	1	553738
10	99-0584	989	Pilot bulb	1	
11	99-7064	54573590	Pilot bulbholder	1	
12	99-1208	54363454	Warning light, red	1	
12	99-1209	54363455	Warning light, green	1	
12	99-1207	54363453	Warning light, amber	1	
12	99-7054	54361250	Warning light blue	1	
14	99-1210	54140331	Seating washer	3	
15	99-7012	54115106	Bolt - headlamp mounting	2	
16	97-4125	-	Distance piece, headlamp bolt	2	
17	99-0537	281	Bulb, warning light	3	
18	97-4589		Ignition switch nut	1	
19	97-4596		Ignition switch spacer	1	
20	99-7055	39784	Ignition switch	1	
22	82-6981	-	IGNITION LOCK WITH KEY	1	
23	60-0622	-	Ignition key	1	state serial number
24	60-4335	-	Cover, ignition switch	1	
25	60-4104		FLASHER LAMP FRONT	2	
25	60-7172		FLASHER LAMP REAR	2	
26	19-1191	54581638	Lens	1	
30	99-1192	382	Bulb	1	
31	99-1193	54123401	Screw	2	
33	83-4610	-	Battery carrier assembly	1	
34	82-8091	-	Battery tray moulding	1	
35	82-9353	-	Retaining strap	1	
36	82-9355	-	Buckle	1	
37	83-7235	-	Protective strip	4	
38	83-2508	-	Shoulder screw	3	
39	82-6039	-	Rubber bush	3	Battery carrier
40	14-1301	-	Nut	1	mounting
41	60-2329	-	Plain washer	1	

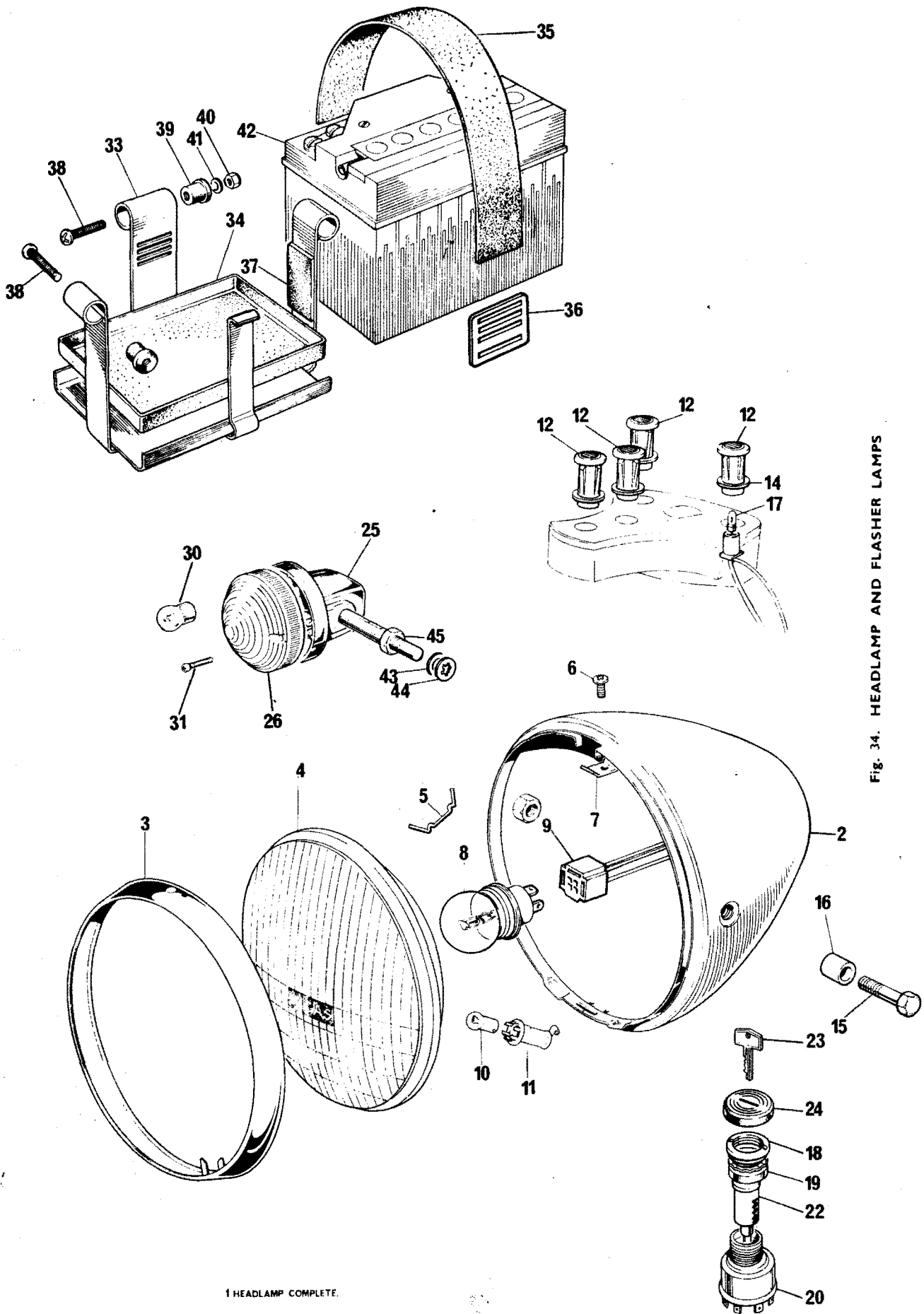


Fig. 34. HEADLAMP AND FLASHER LAMPS

Ref. No.	Part No.	Makers Part No.	Description	Quantity	Remarks
42		YB12N94B-1	Battery, YUASA 12V, 9AH	1	
43	60-2332		Plain washer	6	} Flasher lamp stanchion
44	37-2331		Serrated washer	6	
45	14-0404		Nut	6	
	99-7056	54965505	Main Wiring harness	1	Not illustrated
	60-7199		Earth lead - amplifier box	1	Not illustrated
	60-7198		Rear sub harness	1	Not illustrated

**STANDARD HARDWARE SPECIFICATION
BOLTS**

Part No.	Material Steel	Thd. dia.	Length under head	Min. length of thread	Hexagon A.F.
21-1822	"	5/16" UNF	1/2"	27/64"	0.500"
21-1910	"	3/8" UNF	13/16"	13/16"	0.565"
21-1919	"	5/16" UNC	1 5/8"	7/8"	0.500"
21-2010	"	1/4" UNF	13/16"	3/8"	0.375"
14-0101	"	1/4" UNF	1/2"		0.438"
14-0102	"	1/4" UNF	5/8"		0.438"
14-0103	"	1/4" UNF	3/4"		0.438"
14-0113	"	5/16" UNF	5/8"		0.500"
14-0114	"	5/16" UNF	3/4"		0.500"
14-0115	"	5/16" UNF	7/8"		0.500"
14-0128	"	3/8" UNF	1"		0.563"
14-0208	"	1/4" UNF	2 1/4"	3/4"	0.438"
14-0216	"	5/16" UNF	1 1/8"	7/8"	0.500"
14-0217	"	5/16" UNF	1 1/4"	7/8"	0.500"
14-0219	"	5/16" UNF	1 1/2"	7/8"	0.500"
14-0220	"	5/16" UNF	1 3/4"	7/8"	0.500"
14-0225	"	6/16" UNF	3"	7/8"	0.500"
14-0228	"	5/16" UNF	4"	7/8"	0.500"
14-0234	"	3/8" UNF	1 3/4"	1"	0.563"
14-0236	"	3/8" UNF	2 1/4"	1"	0.563"
14-0239	"	3/8" UNF	3"	1"	0.563"
14-0240	"	3/8" UNF	3 1/4"	1"	0.563"
14-0242	"	3/8" UNF	4"	1"	0.563"
14-0251	"	7/16" UNF	2 3/4"	1 1/4"	0.625"
14-6102	"	1/4" UNC	5/8"		0.438"
14-6115	"	5/16" UNC	7/8"		0.500"

SCREWS

Part No.	Type of head	Material	Thd. Dia.	Length under head	Type of drive
21-1916	Cheese head	Steel	1/4" UNC	1 1/8"	Cross recess
21-1917	Cheese head	"	1/4" UNC	2 5/8"	Cross recess
21-1918	Cheese head	"	1/4" UNC	2 3/8"	Cross recess
21-1920	Hex. head	"	1/4" UNC	21/64"	
21-1929	Countersunk (82")	"	1/4" UNC	17/32"	Slot
21-2079	Cheese head	"	No. 10 UNF	1/2"	Pozidrive
14-0604	Cheese head	"	1/4" UNF	1/2"	Cross recess
14-6505	Countersunk (82")	"	1/4" UNC	7/8"	Cross recess
14-6607	Cheese head	"	1/4" UNC	7/8"	Cross recess
14-6608	Cheese head	"	1/4" UNC	1"	Cross recess
14-6609	Cheese head	"	1/4" UNC	1 1/4"	Cross recess
14-7019	Socket head	"	5/16" UNC	7/8"	Hex. socket
14-7024	Socket head	"	5/16" UNC	2"	Hex. socket

NUTS

Part No.	Material Steel	Thd. dia.	Hexagon A.F.	Thickness	Remarks
21-0778	"	No.10 UNF	0.375"	0.225"	Cleavelock
21-1852	"	5/16" UNF	0.437"	0.330"	Philidas
21-1906	"	1/4" UNF	0.438"	0.188"	Plain
21-1908	"	5/16" UNF	0.438"	0.313"	Plain
21-1914	"	3/4" UNEF	1.125"	0.250"	Plain
21-2012	"	7/8" UNEF	1.313"	0.438"	Plain
21-2013	"	3/4" UNEF	1.313"	0.313"	Plain
21-2014	"	3/4" UNEF	1.313"	0.438"	Plain
14-0301	"	1/4" UNF	0.438"	0.224"	Plain
14-0302	"	5/16" UNF	0.500"	0.271"	Plain
14-0401	"	1/4" UNF	0.438"	0.161"	Lock
14-0402	"	5/16" UNF	0.500"	0.192"	Lock
14-0403	"	3/8" UNF	0.563"	0.224"	Lock
14-0701	"	1/4" UNF	0.438"	0.203"	Philidas
14-0702	"	5/16" UNF	0.500"	0.246"	Philidas
14-0703	"	3/8" UNF	0.563"	0.296"	Philidas
14-1201	"	1/4" UNF	0.438"	0.285"	Stiffnut
14-1202	"	5/16" UNF	0.500"	0.335"	Stiffnut
14-1301	"	1/4" UNF	0.438"	0.245"	Stiffnut
14-1302	"	5/16" UNF	0.500"	0.290"	Stiffnut
14-1303	"	3/8" UNF	0.563"	0.320"	Stiffnut
14-1304	"	7/16" UNF	0.688"	0.275"	Stiffnut
14-1305	"	1/2" UNF	0.750"	0.435"	Stiffnut
14-1902	"	5/16" UNF	0.500"	0.361"	Nyloc
14-1903	"	3/8" UNF	0.563"	0.375"	Nyloc

WASHERS—PLAIN

Part No.	Material	i/dia.	o/dia.	Thickness
60-4245	Steel	0.273"	0.563"	0.048"
60-4246	Steel	0.398"	0.750"	0.063"
60-4247	Steel	0.336"	0.625"	0.063"
37-2027	Steel	0.531"	1.031"	0.092"
60-4248	Steel	0.266"	0.469"	0.064"

WASHERS—SPRING

Part No.	Material	i/dia.	o/dia.	o/a height	Thickness
60-4259	Spring steel	3/8" clearance	19/32"	7/32"	0.104"
60-4250	"	1/4" clearance	13/32"	3/16"	0.064"
60-3541	"	17/32"	7/8"	7/32"	0.040"***
21-0648	"	5/16" clearance	1/2"	5/32"	0.080"

** Double coil.



**REPLACEMENT
PARTS
CATALOGUE**

SUPPLEMENT

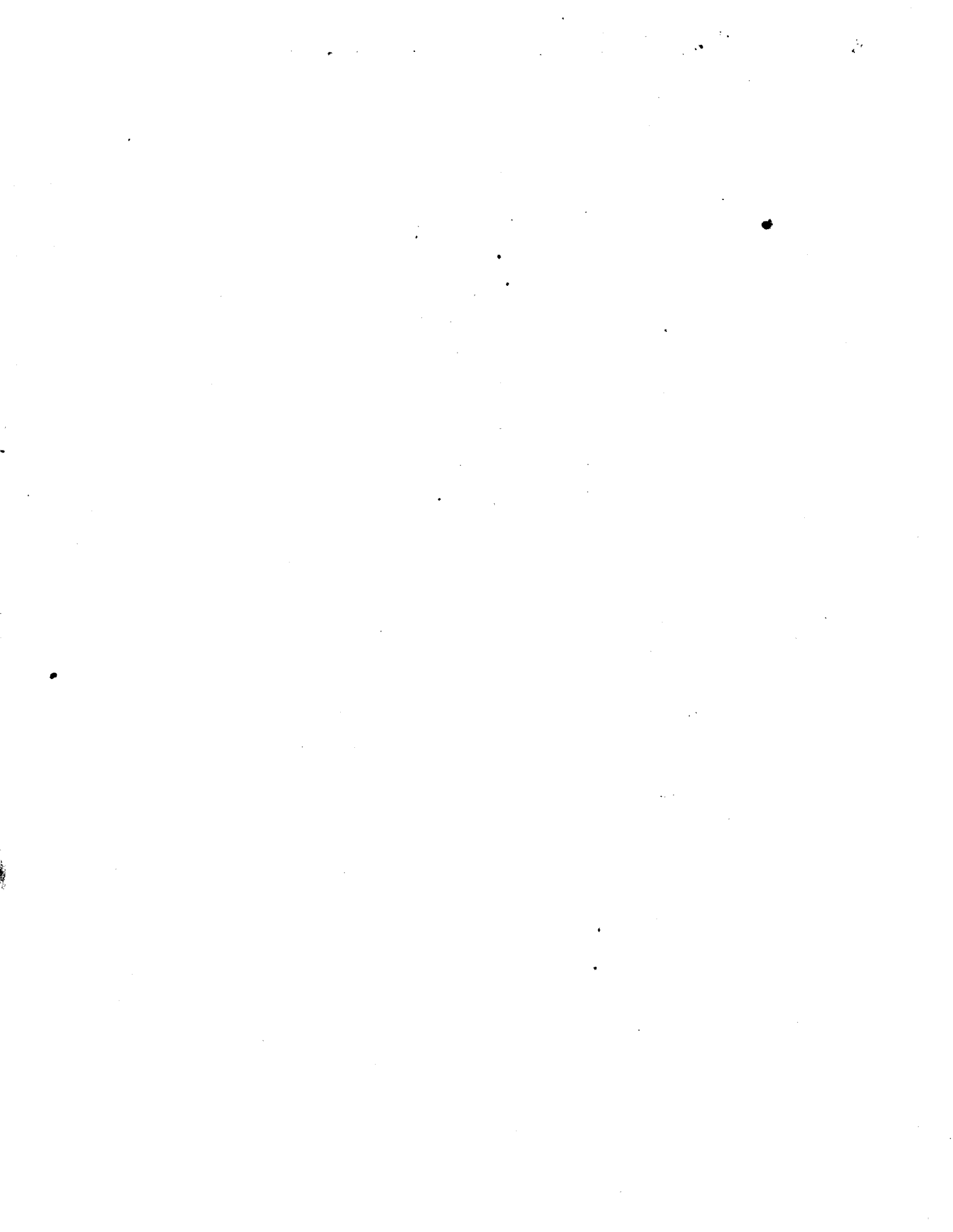
FOR

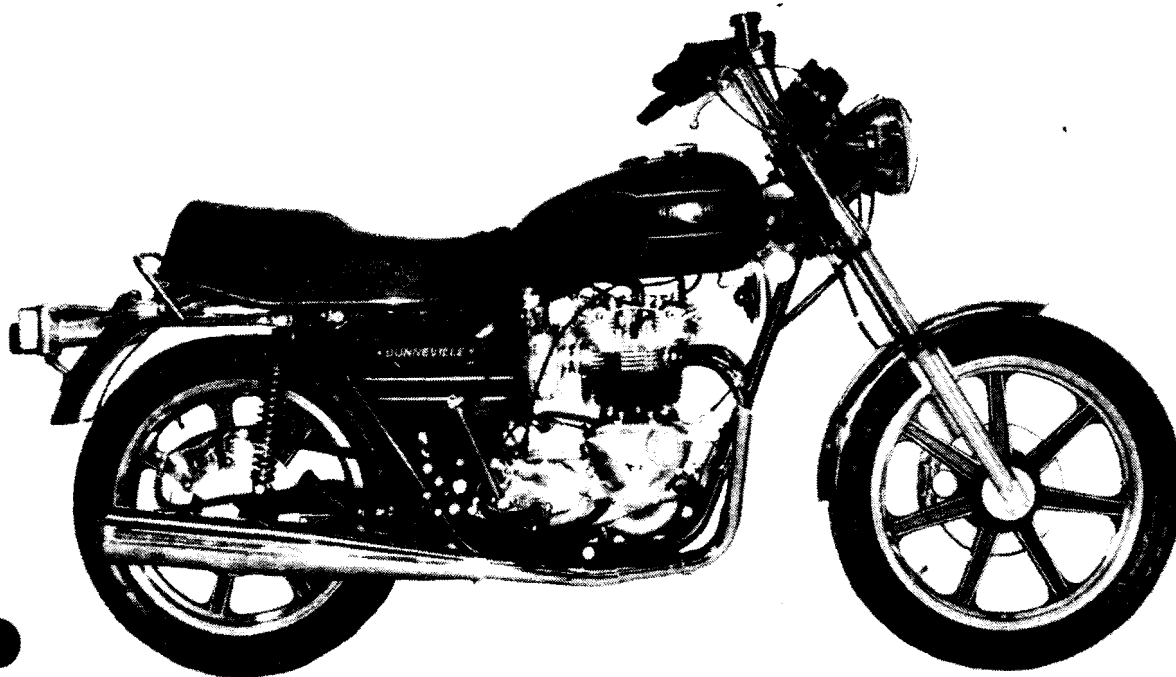
1979 MODEL T140D

BONNEVILLE *Special*

THIS SUPPLEMENT SHOULD BE USED IN CONJUNCTION WITH 99-7102 PARTS CATALOGUE

PART NO. 99-7113





T140D TECHNICAL DATA

Bore & Stroke		76×82mm/2.992×3.228ins.
Capacity		747cc/45cu.ins.
Compression Ratio		7.9:1
Spark Plugs		Champion N5
Carburettor		Amal Concentric MkII
	Main Jet	200
	Needle Jet	105
	Needle	2C3
	Throttle Valve	No. 3
Gearbox Sprocket		20 Teeth
Chains	Front	Triplex × 3/8in. pitch × 84 links
	Rear	5/8in. × 3/8in. × 106 links
Capacities	Fuel Tank	2.8 Galls (IMP)
	Oil Tank	4 Pints
	Gearbox	7/8 Pint (500cc)
	Front Forks	1/3 Pint (190cc)
Tyre Size	Front	4.10×19
	Rear	4.25×18

**THIS SUPPLEMENT SHOULD BE READ IN CONJUNCTION WITH
1979 REPLACEMENT PARTS CATALOGUE 99-7102
FOR PARTS NOT LISTED READ AS A T140E**

Ref. No.	Part No.	Description	Quantity	Remarks
ENGINE				
1	71-7183	Cylinder Head Assembly	1	C/W Intake Studs
2	71-7201	Inlet Valve Guide	2	
3	71-7202	Exhaust Valve Guide	2	
4	70-3209	Circlip - Valve Guide	4	
5	71-7203	Bottom Cup - Valve Spring	4	
6	71-7238	Reluctor Cover	1	
7	60-7237	Spark Plug Champion N5	2	
FRAME				
8	83-7338	Centre Stand	1	
9	83-7421	Prop Stand	1	
10	83-7335	Swinging Arm	1	
11	83-7423	Brake Torque Stay	1	
12	21-7047	Bolt Torque Stay	2	
13	60-2331	Washer Torque Stay Bolt	2	
14	14-1803	Nut Torque Stay Bolt	2	
EXHAUST SYSTEM				
15	71-7224	Exhaust Pipe - Left	1	
16	71-7225	Exhaust Pipe - Right	1	
17	71-7222	Bracket - Exhaust Pipe Left	1	
18	71-7223	Bracket - Exhaust Pipe Right	1	
19	70-7206	Junction Pipe - Pipe to Silencer	1	
20	70-5874	Clip - Pipe to Junction	2	
21	14-0219	Bolt - Clip	2	
22	70-3768	'D' Washer - Bolt	4	
23	14-1202	Nut - Bolt	2	
24	71-7120	Threaded Ring - Pipe to Head	2	
25	71-7121	Joint Washer - Pipe to Head	2	
26	71-7207	Silencer	1	
27	70-3767	Clip - Silencer to Junction Pipe	1	
28	14-0219	Bolt - Clip	1	
29	70-3768	'D' Washer Bolt	2	
30	14-1202	Nut - Bolt	1	
31	83-7072	Bracket - Silencer	1	
32	14-0102	Bolt - Silencer to Bracket	2	
33	60-2338	Washer - Bolt	2	
34	14-1201	Nut - Bolt	2	
FRONT FORKS				
1	97-7058	Front Fork Assembly	1	
2	97-7059	Outer Member Left	1	
3	21-2102	Stud - Spindle cap	4	
4	21-2189	Stud - Caliper	2	
5	97-7010	Oil Seal & Retainer	1	
6	97-7062	Cap - Wheel Spindle LH	1	
7	14-0302	Nut - Cap Retaining	4	
8	60-2428	Washer for Nut	4	
9	97-7082	Cap - Wheel Spindle RH	1	

**THIS SUPPLEMENT SHOULD BE READ IN CONJUNCTION WITH
1979 REPLACEMENT PARTS CATALOGUE 99-7102
FOR PARTS NOT LISTED READ AS T140E**

Ref. No.	Part No.	Description	Quantity	Remarks
FRONT WHEEL				
10	37-7101	Front Wheel - Less Fittings	1	
11	37-7042	Bearing	2	
12	37-7075	Spacer	1	
13	37-7078	Backing Ring	1	
14	37-7076	Bearing Lock Ring	1	
15	37-7077	Hub End Plate LH	1	
16	37-7079	Brake Disc	1	
17	21-7042	Bolt - Disc to Hub	6	
18	60-2330	Washer - Nut	6	
19	14-1202	Nut - Bolt	6	
20	37-7080	Distance Piece Wheel Spindle	1	
21	37-7081	Wheel Spindle	1	
22	60-2326	Washer - Nut	1	
23	14-1307	Nut - Wheel Spindle	1	
24	37-7107	Balance Weight as required	-	
REAR WHEEL				
1	37-7102	Rear Wheel - Less Fittings	1	
2	37-7090	Backing Ring	1	
3	37-7042	Bearing RH	1	
4	37-7041	Bearing LH	1	
5	37-7106	Spacer	1	
6	37-7054	Dust Cover LH Bearing	1	
7	37-7088	Spacer - Hub to Sprocket	1	
8	37-7089	Sprocket	1	
9	37-7079	Brake Disc	1	
10	21-7043	Bolt - Disc/Sprocket to Hub	6	
11	60-2330	Washer for Nut	6	
12	14-1202	Nut - Bolt	6	
13	37-7091	Distance Piece - Bearing to Caliper	1	
14	37-7076	Lock Ring - RH Bearing	1	
15	37-7107	Balance Weight as required	-	
16	37-7104	Rear Wheel Adjuster	2	
REAR BRAKE				
17	37-7103	Caliper Mounting Plate C/W Studs	1	
18	37-7094	Distance Piece - Caliper Plate	1	
19	37-4263	Caliper Cover	1	
20	60-4156	Decal - Caliper Cover	1	
21	21-2196	Screw - Caliper Cover Fixing	2	
22	60-7233	Brake Hose	1	
23	60-7236	Banjo Bolt - at Caliper	1	
24	60-4184	Sealing Washer - Thin	1	
25	37-7100	Sealing Washer - Thick	1	
26	60-4183	Banjo Bolt - at Master Cylinder	1	
27	60-4182	Sealing Washer	1	
28	60-4184	Sealing Washer - under Head	1	
29	83-7423	Brake Torque Stay	1	
30	21-7047	Bolt Torque Stay	2	
31	14-1803	Nut - Bolt	2	
32	60-2331	Washer - Bolt	2	
33	83-7465	Bracket - Brake Pipe	1	
PETROL TANK				
34	83-7431	Petrol Tank	1	
35	83-5361	Petrol Tank Badge	2	
36	21-7048	Screw - Badge Fixing	4	

**THIS SUPPLEMENT SHOULD BE READ IN CONJUNCTION WITH
1979 REPLACEMENT PARTS CATALOGUE 99-7102
FOR PARTS NOT LISTED READ AS T140E**

<i>Ref. No.</i>	<i>Part No.</i>	<i>Description</i>	<i>Quantity</i>	<i>Remarks</i>
FRAME				
1	83-7335	Swinging Arm	1	
2	83-7338	Centre Stand	1	
3	83-7421	Prop Stand	1	
TWINSEAT				
4	83-7391	Twinseat	1	
5	83-7392	Cover - Twinseat	1	
6	60-7226	Data Label	1	
SIDE PANELS				
7	83-7355	Styling Panel LH	1	
8	83-7356	Styling Panel RH	1	
9	83-7357	Name Plate	2	
MUDGUARDS				
10	97-7065	Front Mudguard	1	
11	97-7073	Backing Support - Front Guard	1	
12	14-2205	Screw - Support to Guard	5	
13	83-7428	Rear Mudguard	1	
14	83-7390	Grab Rail	1	
EXTRAS				
15	60-7234	Owners Handbook	1	
16	60-7235	Label - Tyre Information	1	